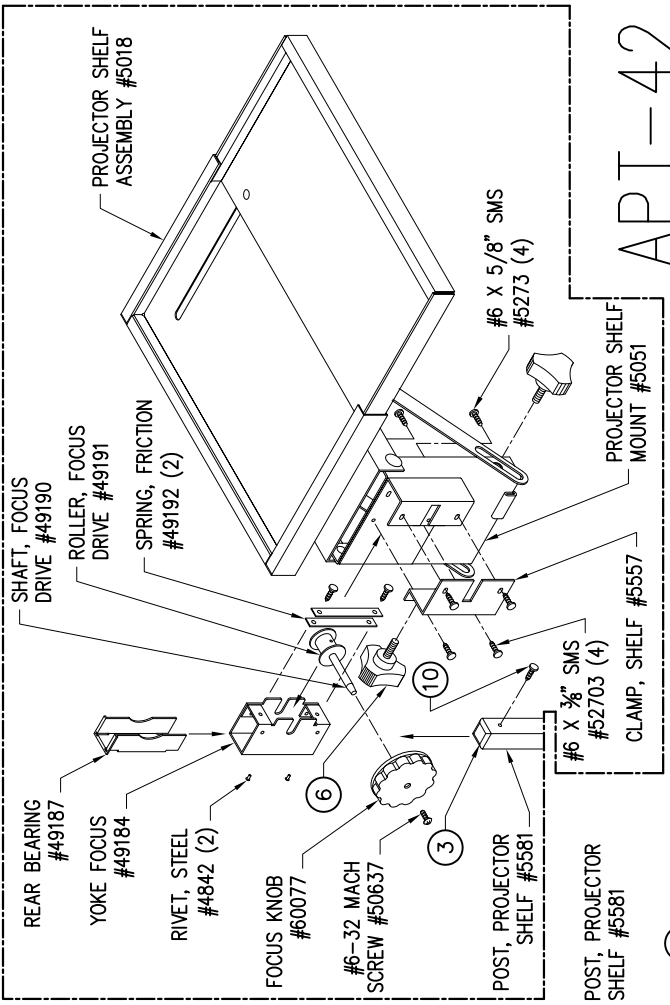
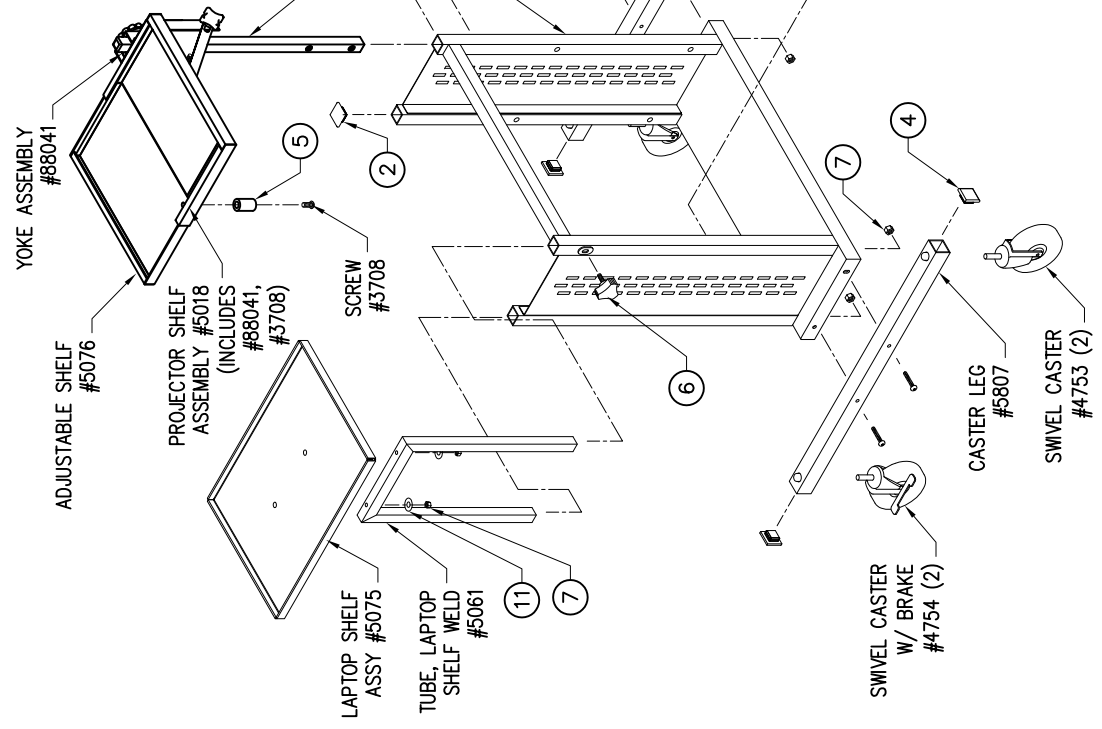


# APT-42 (5208)

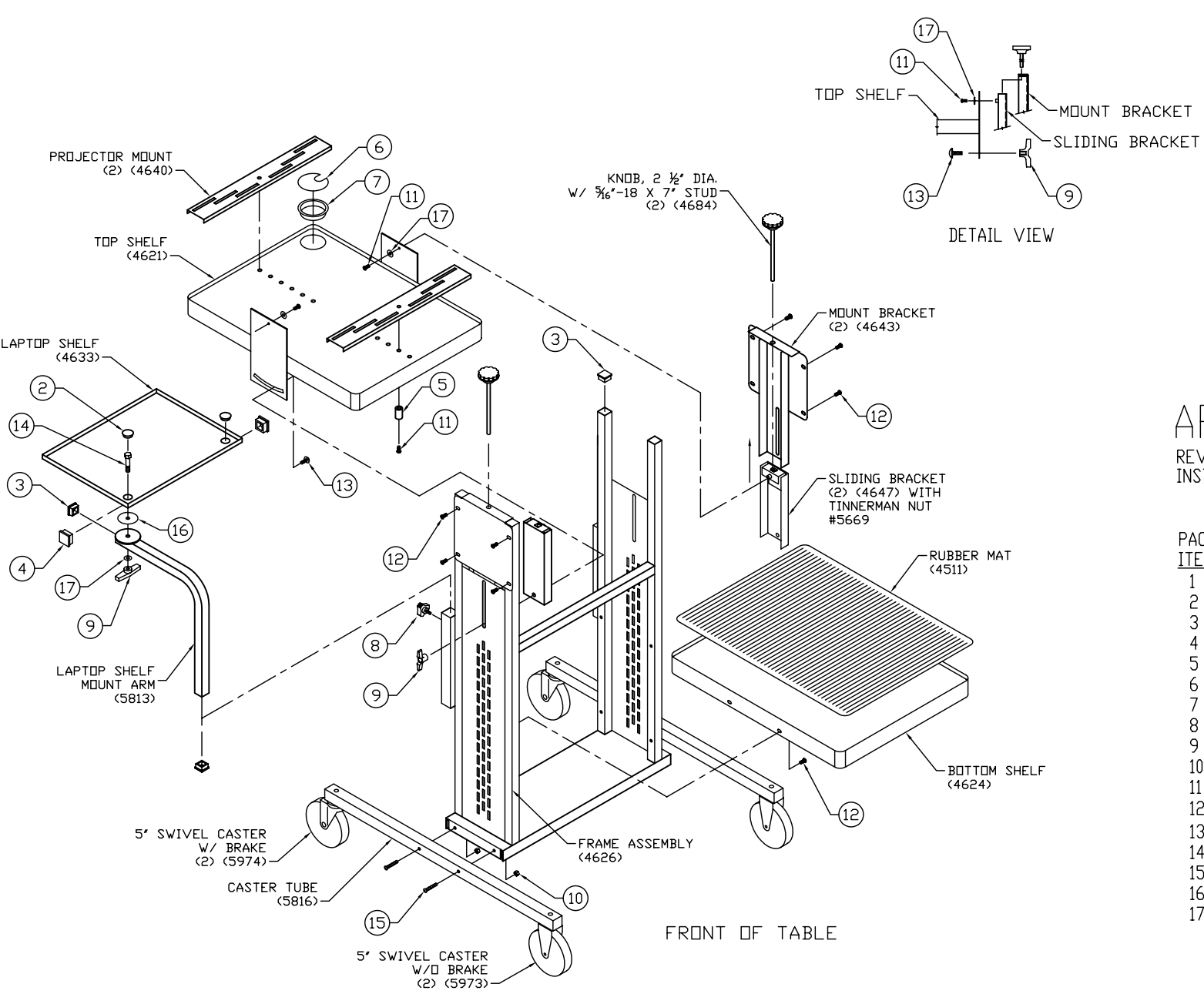


REVISION: 1/06  
INST. SHEET E-395

ITEM	DESCRIPTION	QTY	PN
1	ALLEN WRENCH, 5/32"	1	3706
2	END CAP, 1" SQUARE	1	2718
3	END CAP, 3/4" SQ	1	5949
4	END CAP, 1-1/4" SQUARE	1	1106
5	EQUIPMENT LOCK KIT	1	3181
6	KNOB, 5/16"-18	3	72454
7	NUT, HEX, 1/4"-20 KEPS	6	8797
8	SCREW, MACH, 1/4"-20 X 2"	4	4650
9	SCREW, BHSCS, 1/4"-20 X 3/4"	6	4866
10	SCREW, SHEET METAL, #6 X 5/8"	1	5273
11	WASHER, FLAT, 1/4"	2	5960



# APT-42 (5208)



# APT2-42 (4614)

REVISION 09/04  
INST. SHEET E-384

## PACKAGE SET 4680

ITEM	DESCRIPTION	QTY	PN
1	ALLEN WRENCH, 5/32"	1	3706
2	ENCLOSURE, 7/8" DIA.	2	5391
3	END CAP, 1" SQUARE TUBE	6	2718
4	END CAP, 1-1/4" SQUARE TUBE	2	1106
5	EQUIPMENT LOCK KIT	1	3181
6	GROMMET, COVER, 2-1/2"	1	3688
7	GROMMET, 2-1/2"	1	3645
8	KNOB, 5/16"-18	1	72454
9	KNOB, WING, 5/16"-18	3	4431
10	NUT, HEX, 1/4"-20 KEPS	4	8797
11	SCREW, BHSCS, 1/4"-20 X 1/2"	4	3708
12	SCREW, BHSCS, 1/4"-20 X 3/4"	12	4866
13	SCREW, CARRIAGE, 5/16"-18 X 1-3/4"	2	5670
14	SCREW, HHCS, 5/16"-18 X 1-3/4"	1	4685
15	SCREW, MACH, 1/4"-20 X 2"	4	4650
16	WASHER, FIBER, .44 X 2.0 X .03	1	5474
17	WASHER, FLAT, 1/4"	3	5960