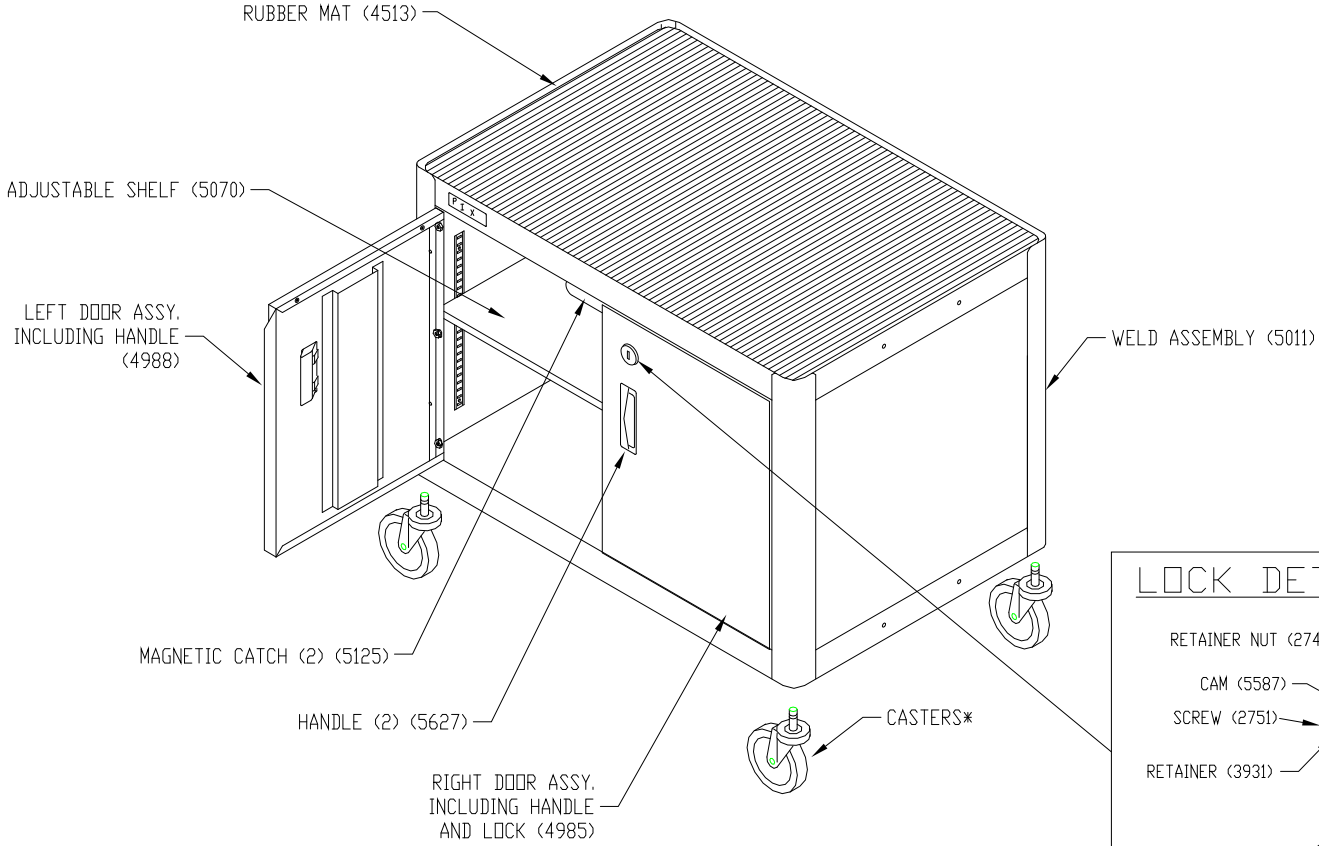


AV5C-26 (4972)

REVISION: 01/02
INST. SHEET



PACKAGE SET 5073

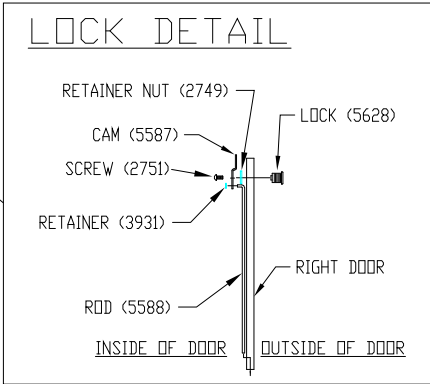
ITEM	DESCRIPTION	QTY	PN
1	KEY	2	2383
2	PILASTER CLIP	4	9171

* 4" CASTER PACK 5625 (STANDARD)

ITEM	DESCRIPTION	QTY	PN
3	4" CASTER, SWIVEL	2	4753
4	4" CASTER, SWIVEL W/ BRAKE	2	4754
5	PACKAGE SET (DRINGS, 8 EA.)	1	9939

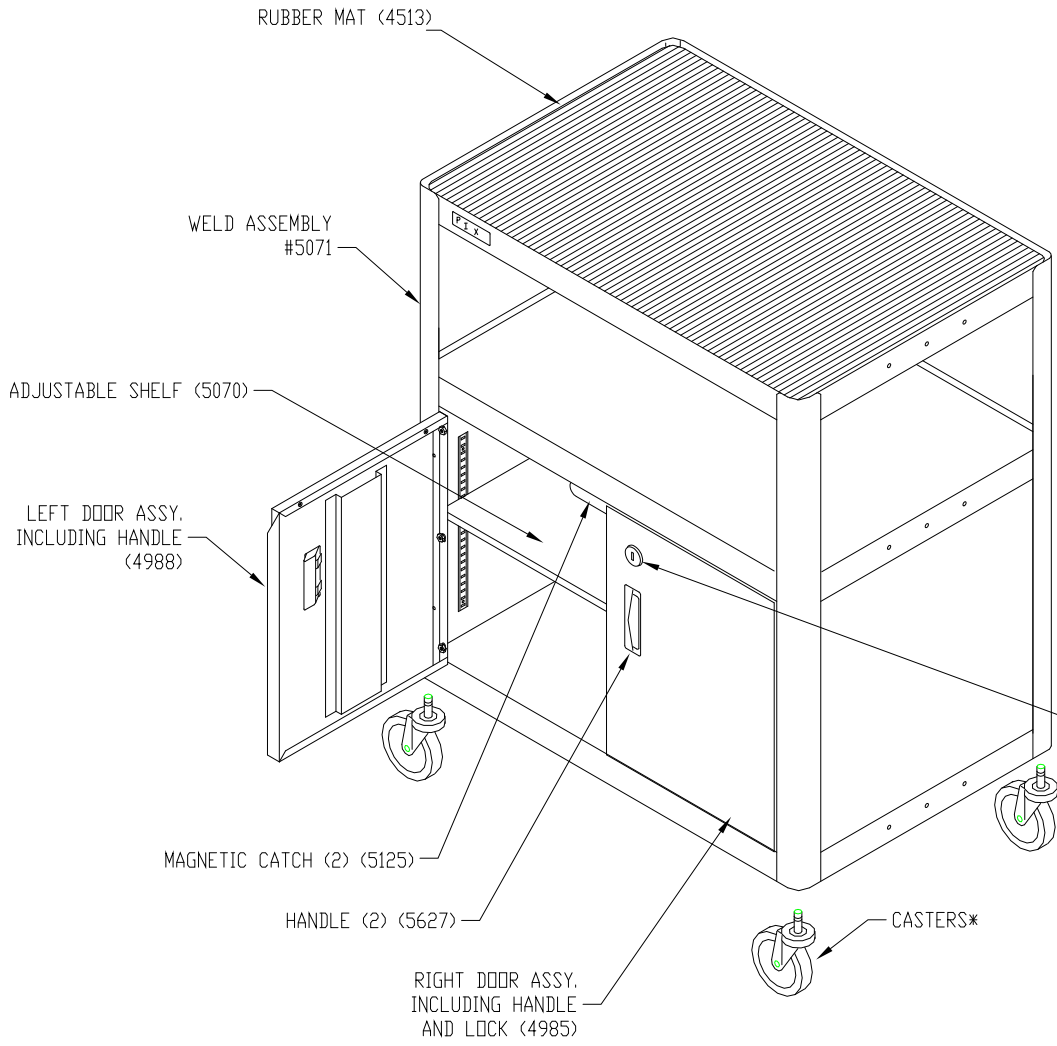
* 5" CASTER PACK 5975 (OPTIONAL)

ITEM	DESCRIPTION	QTY	PN
6	5" CASTER, SWIVEL	2	5973
7	5" CASTER, SWIVEL W/ BRAKE	2	5974
8	PACKAGE SET (DRINGS, 8 EA.)	1	9939



AV5C-38 (5036)

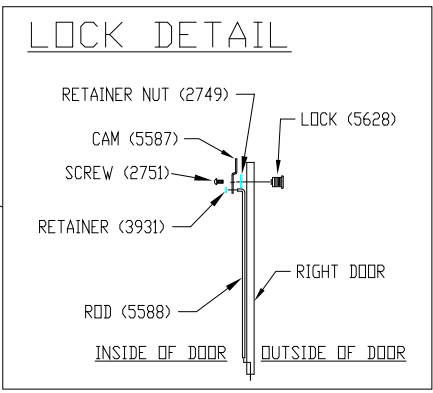
REVISION
INST. SHEET



PACKAGE SET 5073			
ITEM	DESCRIPTION	QTY	PN
1	KEY	2	2383
2	PILASTER CLIP	4	9171

* 4" CASTER PACK 5625 (STANDARD)			
ITEM	DESCRIPTION	QTY	PN
3	4" CASTER, SWIVEL	2	4753
4	4" CASTER, SWIVEL W/ BRAKE	2	4754
5	PACKAGE SET (DRINGS, 8 EA.)	1	9939

* 5" CASTER PACK 5975 (OPTIONAL)			
ITEM	DESCRIPTION	QTY	PN
6	5" CASTER, SWIVEL	2	5973
7	5" CASTER, SWIVEL W/ BRAKE	2	5974
8	PACKAGE SET (DRINGS, 8 EA.)	1	9939



AV5C-54J (5032)

AV5CM-54J (5032 + 5364)

REV. 04/04
 INST. SHEET E-280 (AV5C-54J)
 INST. SHEET E-280 & E-285 (AV5CM-54J)

PACKAGE SET 5074 (FOR AV5C-54J)

ITEM	DESCRIPTION	QTY	PN
1	KEY	2	2383
2	ACC. SHELF SUPPORT	4	9171
3	SCREW, 1/4"-20x.5" BTN HD SCKT	8	3708
4	NUT, 1/4"-20 KEPS	8	8797
5	ALLEN WRENCH, 5/32"	1	3706

PACKAGE SET 5315 (FOR ACCESSORY SHELF 5364)

ITEM	DESCRIPTION	QTY	PN
3	SCREW, 1/4"-20x.5" BTN HD SCKT	4	3708
4	NUT, 1/4"-20 KEPS	4	8797
5	ALLEN WRENCH, 5/32"	1	3706
6	ACC. SHELF BRACKET	4	5311

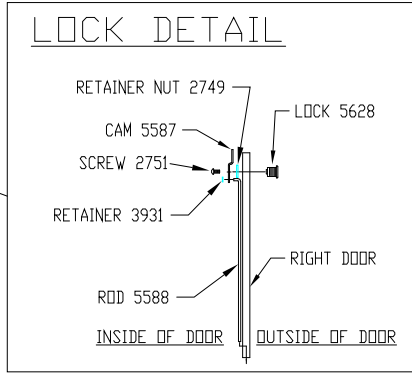
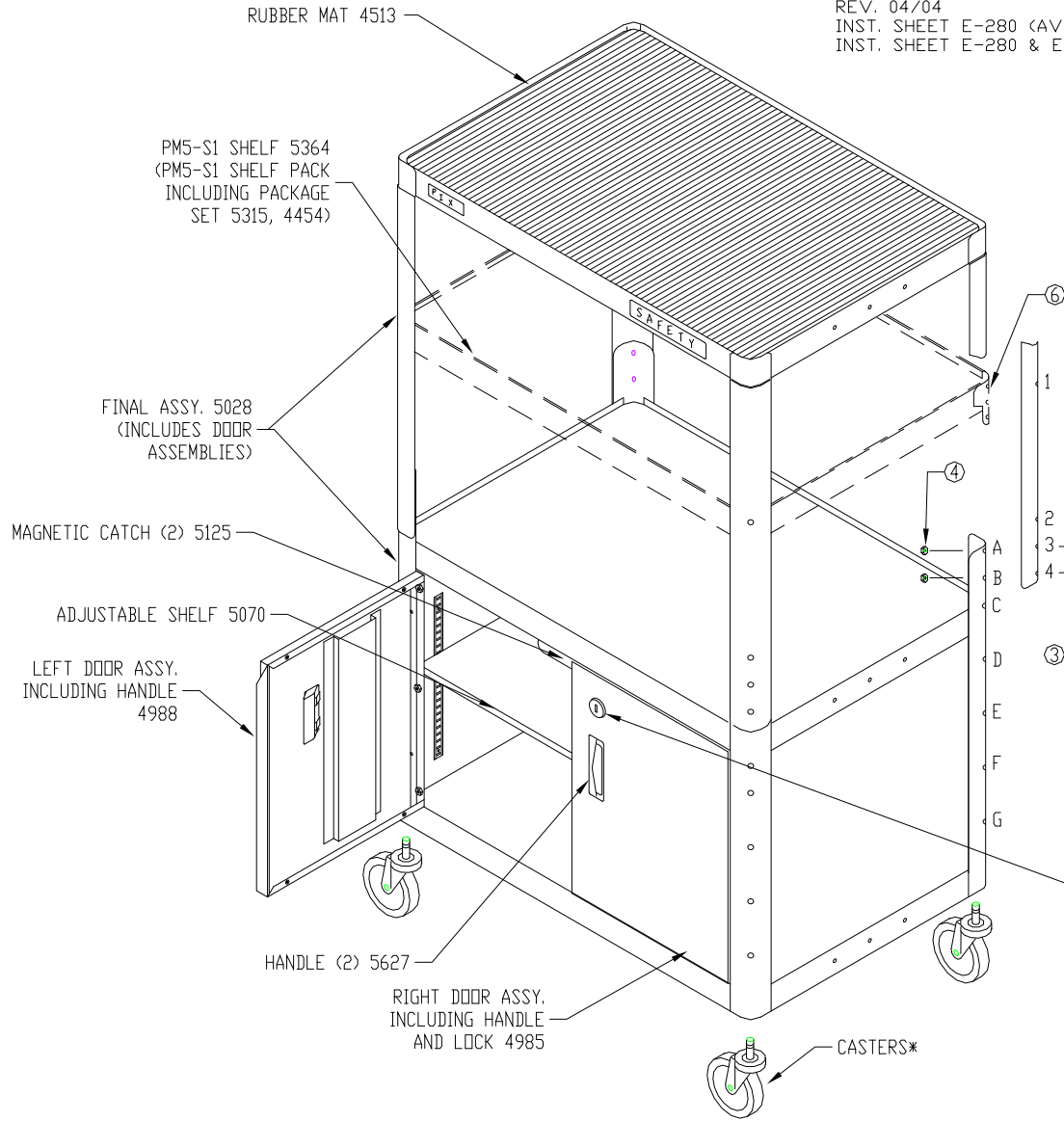
* 4" CASTER PACK 5625 (STANDARD)

ITEM	DESCRIPTION	QTY	PN
1	4" CASTER, SWIVEL	2	4753
2	4" CASTER, SWIVEL W/ BRAKE	2	4754
3	PACKAGE SET (DRINGS, 8 EA.)	1	9939

* 5" CASTER PACK 5975 (OPTIONAL)

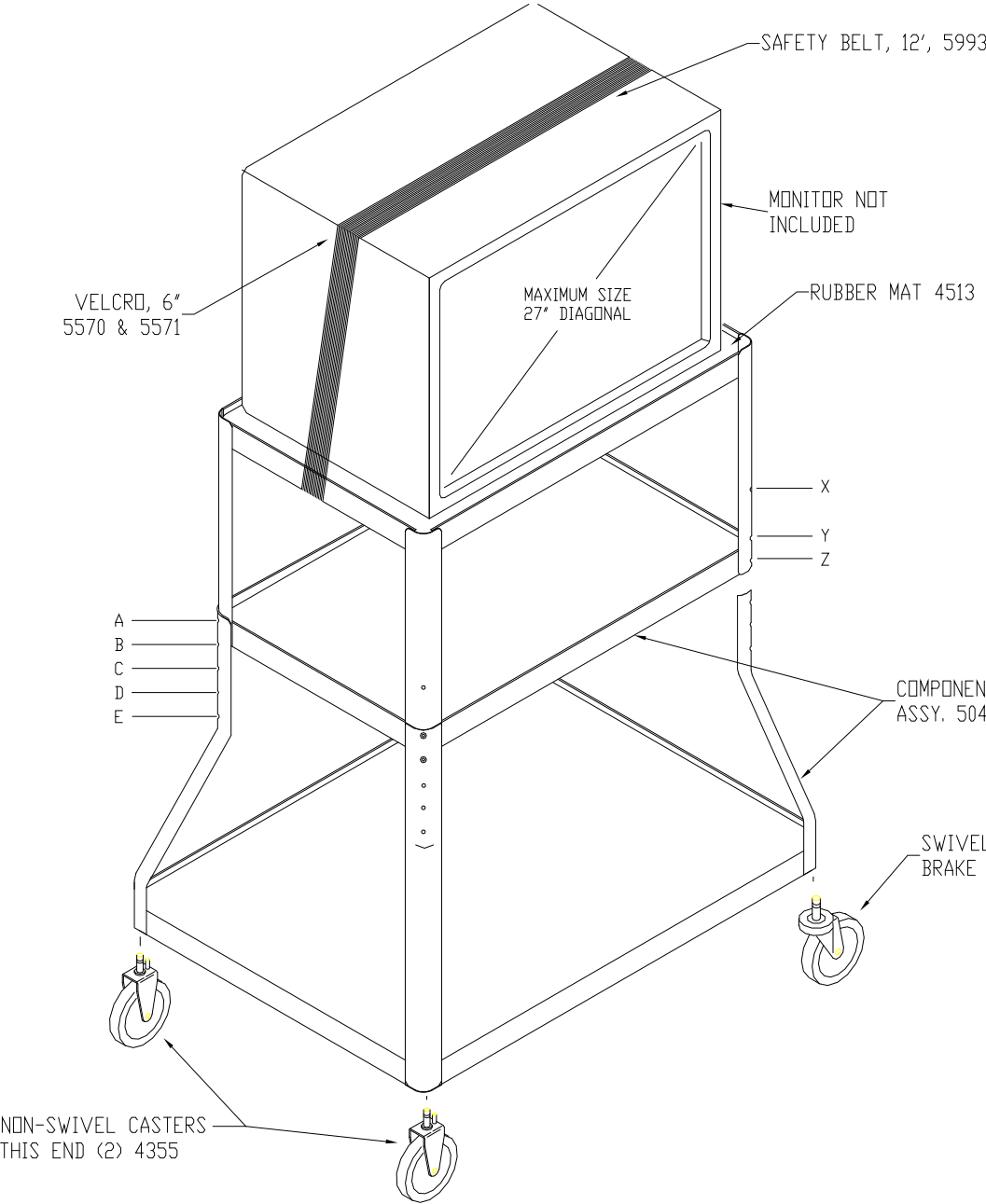
ITEM	DESCRIPTION	QTY	PN
1	5" CASTER, SWIVEL	2	5973
2	5" CASTER, SWIVEL W/ BRAKE	2	5974
3	PACKAGE SET (DRINGS, 8 EA.)	1	9939

TOP SHELF HEIGHT	HOLE ALIGNMENT
54"	A3 B4
52"	A2 B3
50"	B2 C3
48"	C2 D4
46"	D3
44"	D2 E4
42"	A1 E3
40"	B1 E2
38"	C1 F3
36"	G4
34"	D1 G3



AV5UL-49J (4852)

REV. 12/18/00
INST. SHEET E-266

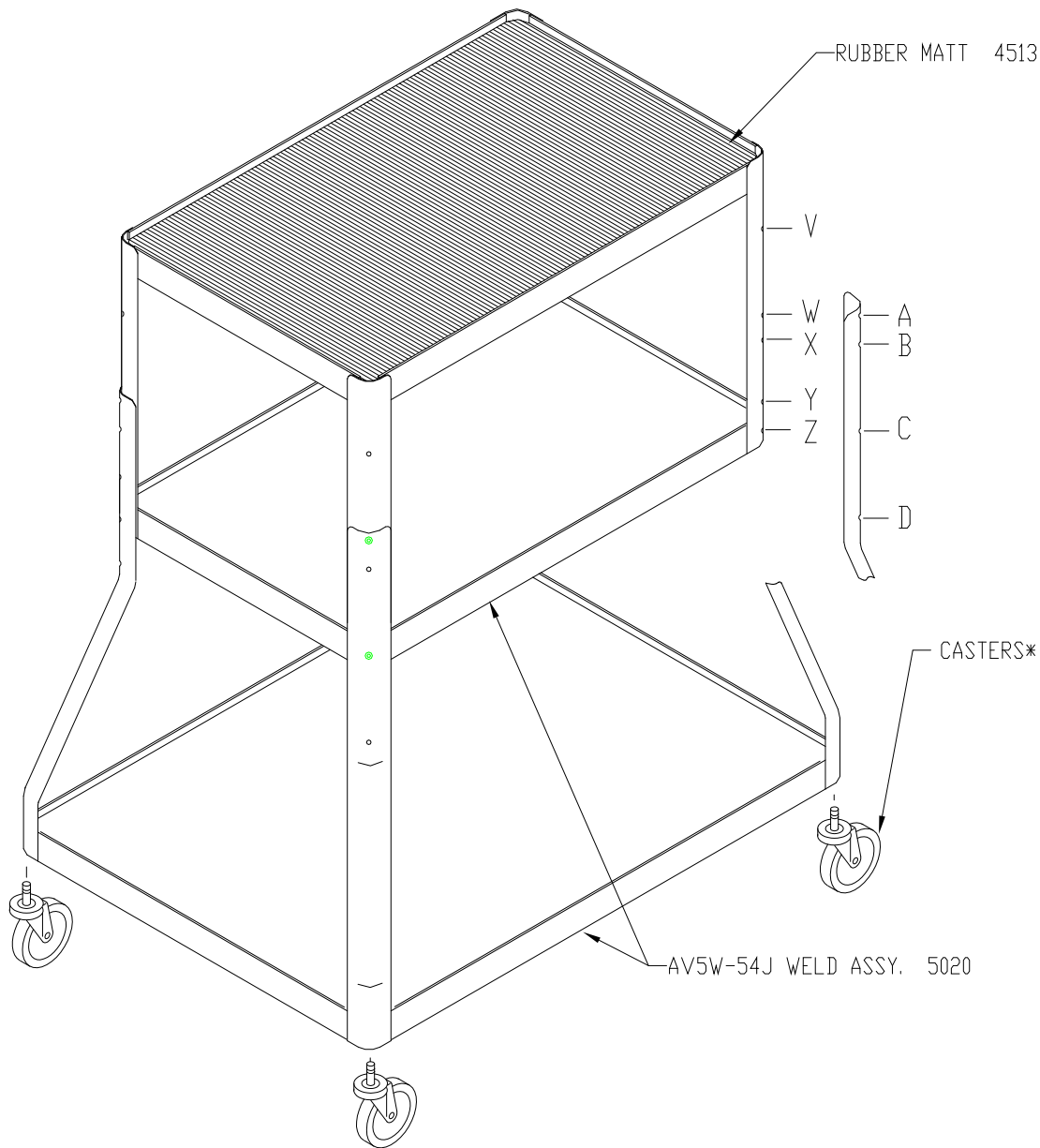


HARDWARE PER CART

ITEM	DESCRIPTION	QTY	PN
1	SCREW, 1/4"-20 BTN HD SCKT	8	3708
2	NUT, 1/4"-20 KEPS	8	8797
3	ALLEN WRENCH, 5/32"	1	3706

TOP AND MIDDLE SHELF HEIGHTS WHEN ASSEMBLED WITH INCLUDED CASTERS.

SCREW LOCATION	TOP SHELF	MIDDLE SHELF
B-X, E-Y	41"	23"
A-X, E-Z	43"	25"
C-Y, D-Z	45"	27"
B-Y, C-Z	47"	29"
A-Y, B-Z	49"	31"



AV5W-54J (4998)

REV. 04/02
INST. SHEET E-254

HARDWARE PER CART

ITEM	DESCRIPTION	QTY	PN
1	SCREW, 1/4"-20 BTN HD SCKT	8	3708
2	NUT, 1/4"-20 KEPS	8	8797
3	ALLEN WRENCH, 5/32"	1	3706

TOP AND MIDDLE SHELF HEIGHTS
WHEN ASSEMBLED WITH 4" CASTERS.

SCREW LOCATION	TOP SHELF	MIDDLE SHELF
C-X, D-Y	40"	22"
A-V, D-Z	42"	24"
B-X, C-Y	46"	28"
A-X, C-Z	48"	30"
A-Y, B-Z	54"	36"

* 4" CASTER PACK 5625 (STANDARD)

ITEM	DESCRIPTION	QTY	PN
1	4" CASTER, SWIVEL	2	4753
2	4" CASTER, SWIVEL W/ BRAKE	2	4754
3	PACKAGE SET (ORINGS, 8 EA.)	1	9939

* 5" CASTER PACK 5975 (OPTIONAL)

ITEM	DESCRIPTION	QTY	PN
1	5" CASTER, SWIVEL	2	5973
2	5" CASTER, SWIVEL W/ BRAKE	2	5974
3	PACKAGE SET (ORINGS, 8 EA.)	1	9939