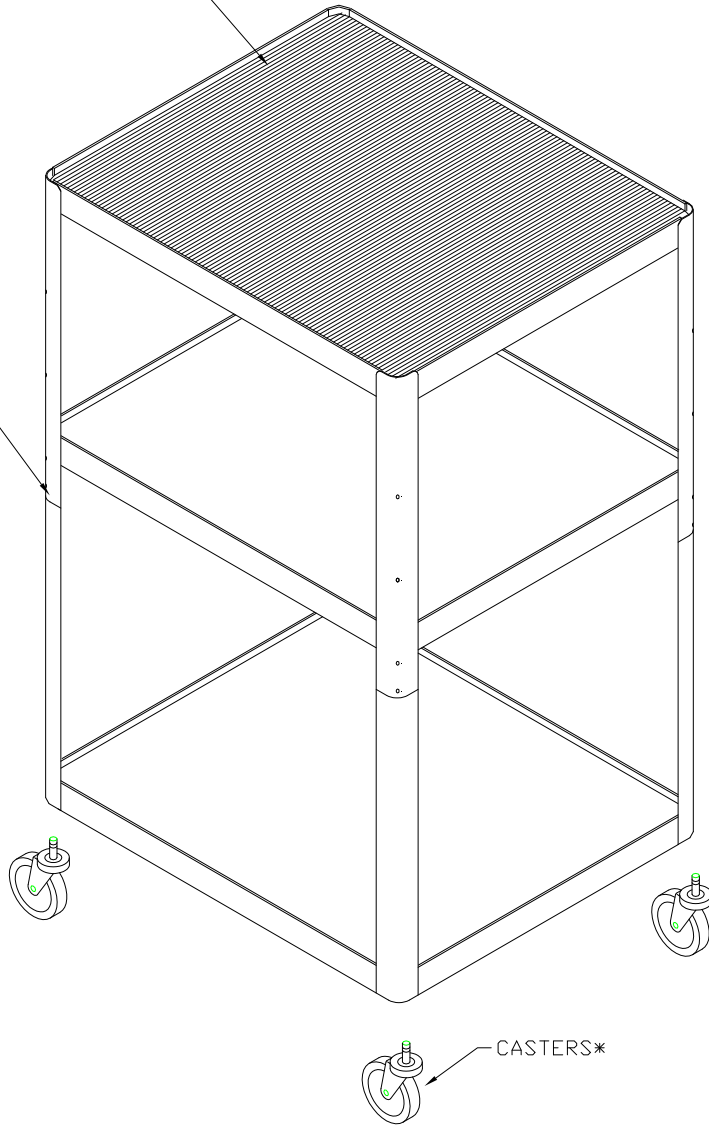


RUBBER MAT (4514)

CART ASSY (5472)



CASTERS*

AV6-54J (4509)

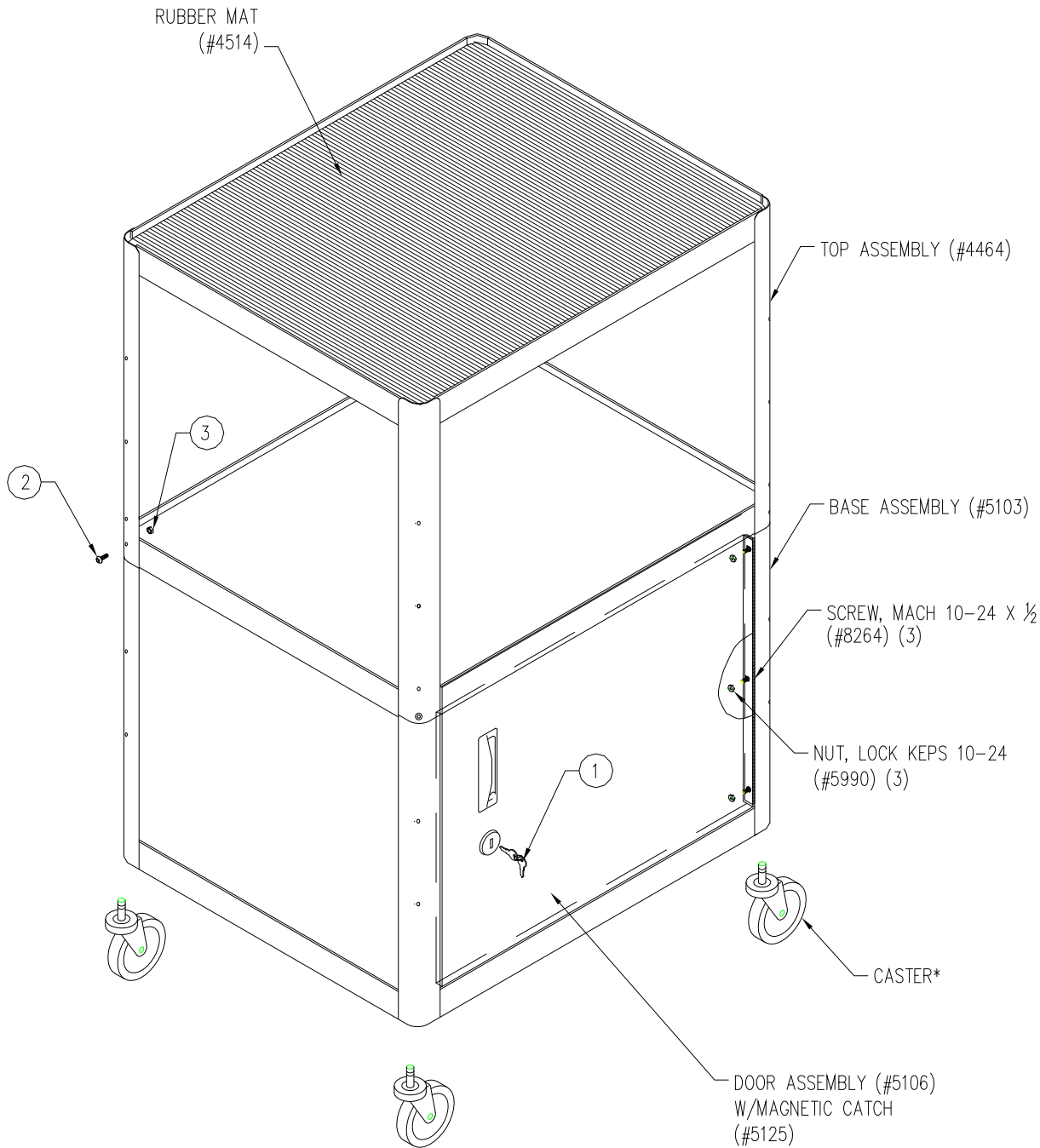
REVISION
INST. SHEET: E312

* 4" CASTER PACK 5625 (STANDARD)

ITEM	DESCRIPTION	QTY	PN
2	4" CASTER, SWIVEL	2	4753
3	4" CASTER, SWIVEL W/ BRAKE	2	4754
4	PACKAGE SET (ORINGS, 8 EA.)	1	9939

* 5" CASTER PACK 5975 (OPTIONAL)

ITEM	DESCRIPTION	QTY	PN
5	5" CASTER, SWIVEL	2	5973
6	5" CASTER, SWIVEL W/ BRAKE	2	5974
7	PACKAGE SET (ORINGS, 8 EA.)	1	9939



AV6C-54J (5104)

REVISION
INST. SHEET: E-271

PACKAGE SET #5084

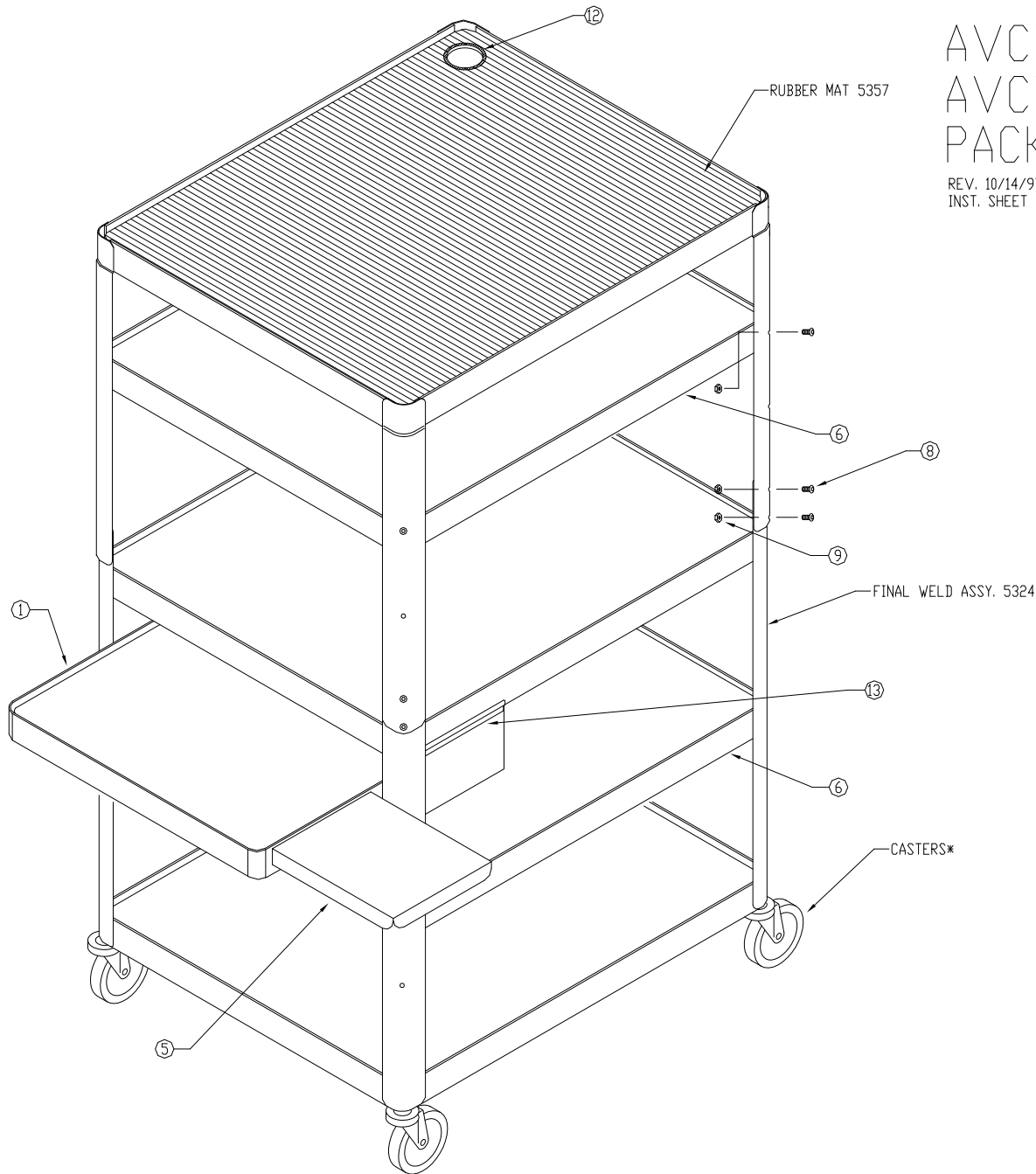
ITEM	DESCRIPTION	QTY	PN
1	KEY	2	2383
2	1/4-20 X 1/2" CAP SCREW	4	3708
3	1/4-20 LOCK NUT	4	8797
4	ALLEN WRENCH, 5/32	1	3706

* 4" CASTER PACK 5625 (STANDARD)

ITEM	DESCRIPTION	QTY	PN
1	4" CASTER, SWIVEL	2	4753
2	4" CASTER, SWIVEL W/ BRAKE	2	4754
3	PACKAGE SET (ORINGS, 8 EA.)	1	9939

* 5" CASTER PACK 5975 (OPTIONAL)

ITEM	DESCRIPTION	QTY	PN
1	5" CASTER, SWIVEL	2	5973
2	5" CASTER, SWIVEL W/ BRAKE	2	5974
3	PACKAGE SET (ORINGS, 8 EA.)	1	9939



AVCT6-54J (5541) WITH AVCT6-54J COMPONENT PACKAGE (5539)

REV. 10/14/97
INST. SHEET E-291

AVCT6-54J COMPONENT PACKAGE (5539)

ITEM	DESCRIPTION	QTY	PN
1	KEYBOARD SHELF ASSY.	1	5323
2	SHELF BRACKET PACKAGE SET	2	5315
3	PACKAGE SET	1	5348
4	KEYBOARD PAD	1	5538
5	MOUSE SHELF ASSY.	1	5340
6	PAINTED HOLE SHELF	2	5349

PACKAGE SET 5194

ITEM	DESCRIPTION	QTY	PN
7	ACCESSORY SHELF BRACKET	4	5311
8	SCREW, 1/4"-20x.50" BTN HD SCKT	4	3708
9	NUT, 1/4"-20 KEPS	4	8797
10	ALLEN WRENCH, 5/32"	1	3706

PACKAGE SET 5194

ITEM	DESCRIPTION	QTY	PN
11	SCREW, 1/4"-20x.75" BTN HD SCKT	2	4866
8	SCREW, 1/4"-20x.50" BTN HD SCKT	14	3708
9	NUT, 1/4"-20 KEPS	18	8797
12	HOLE GROMMET, 2.50"	4	3645
13	OFFSET BRACKET	2	5288

* 4" CASTER PACK 5625 (STANDARD)

ITEM	DESCRIPTION	QTY	PN
1	4" CASTER, SWIVEL	2	4753
2	4" CASTER, SWIVEL W/ BRAKE	2	4754
3	PACKAGE SET (DRINGS, 8 EA.)	1	9939

* 5" CASTER PACK 5975 (OPTIONAL)

ITEM	DESCRIPTION	QTY	PN
1	5" CASTER, SWIVEL	2	5973
2	5" CASTER, SWIVEL W/ BRAKE	2	5974
3	PACKAGE SET (DRINGS, 8 EA.)	1	9939

VELCRO, 6"
5570 & 5571

MONITOR NOT
INCLUDED

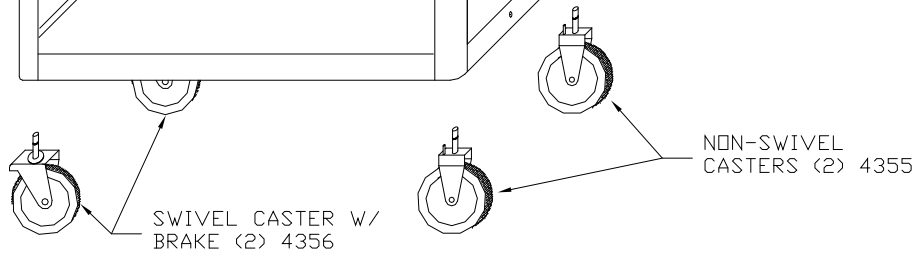
AV7UL-49
REV. 12/18/00
INST. SHEET E-267

SAFETY BELT, 12', 5993

MAXIMUM SIZE
32" DIAGONAL

RUBBER MAT 4515

WELD ASSY. 4853



VELCRO, 6"
5570 & 5571

MONITOR NOT
INCLUDED

SAFETY BELT, 12', 5993

RUBBER MAT 4515

MAXIMUM SIZE
32" DIAGONAL

FINAL ASSY. (INCLUDES DOOR
ASSEMBLIES) 5593

MAGNETIC CATCH (2)
(INSIDE CABINET) 5125

ADJ. SHELF ASSY. 5663

HANDLES (2) 5627

RIGHT DOOR ASSY. INCLUDING
HANDLE AND LOCK 5591

LEFT DOOR ASSY.
INCLUDING HANDLE
5592

NON-SWIVEL
CASTERS (2) 4355

SWIVEL CASTER W/
BRAKE (2) 4356

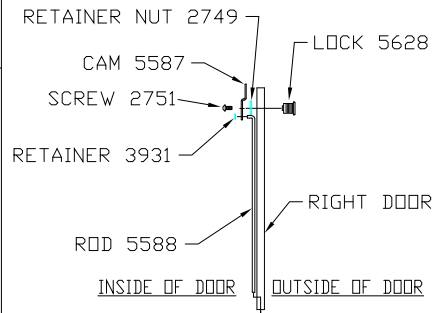
AV7ULC-49 (4863)

REV. 02/01
INST. SHEET E-268

PACKAGE SET 5073

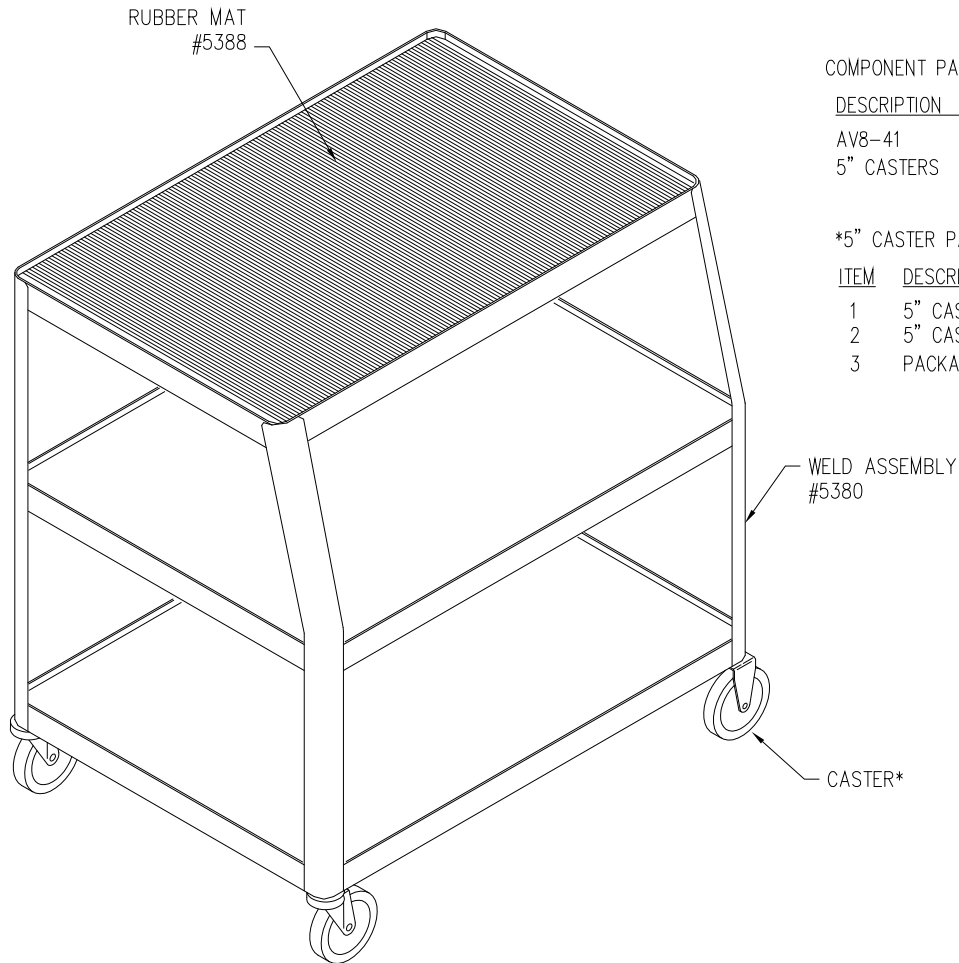
ITEM	DESCRIPTION	QTY	PN
1	KEY	2	2383
2	ACC. SHELF SUPPORT	4	9171

LOCK DETAIL



AV8-41 (7262)

REVISION:
INST. SHEET: E-337



COMPONENT PACKAGES

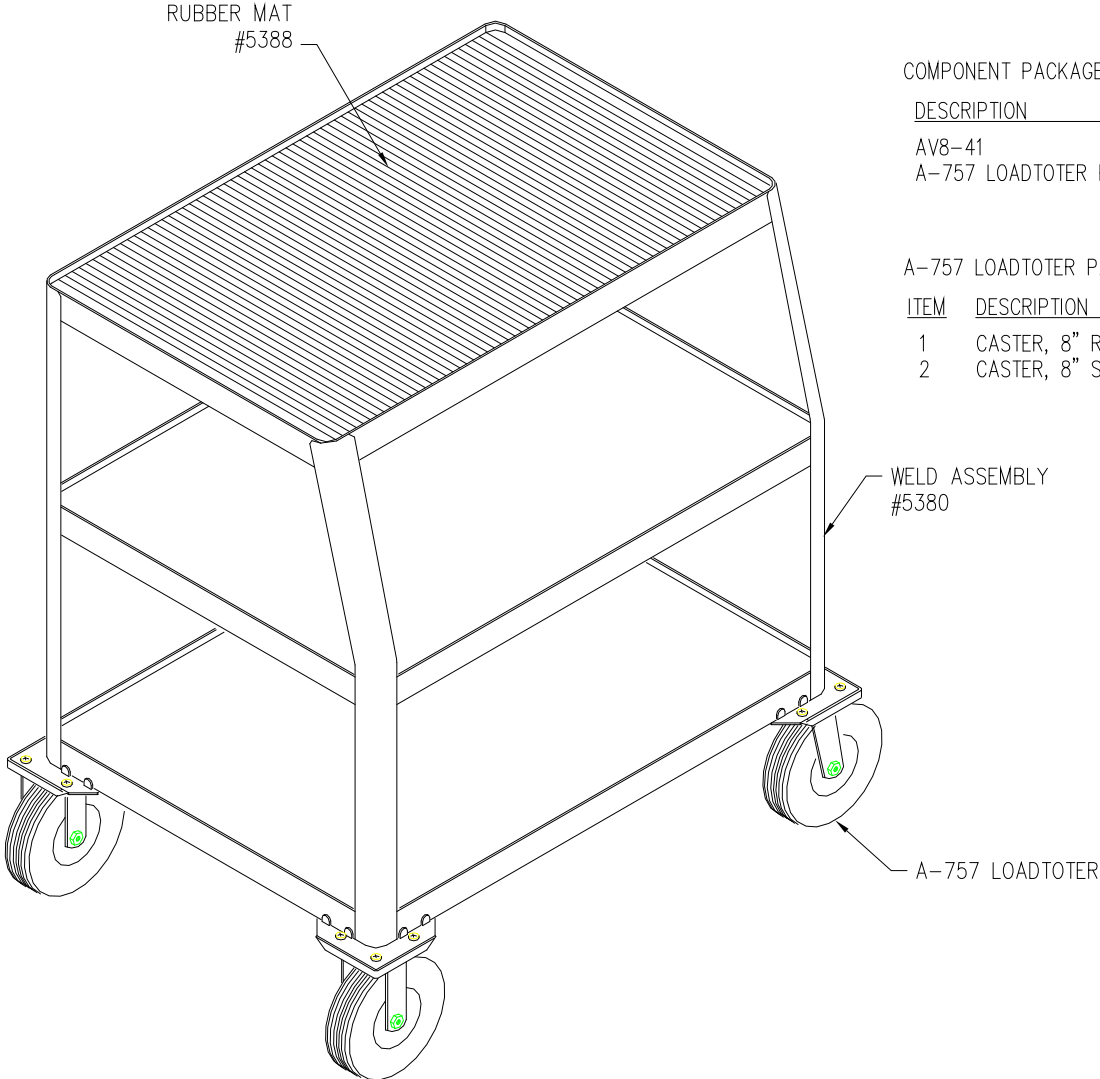
<u>DESCRIPTION</u>	<u>QTY</u>	<u>PN</u>
AV8-41	1	5390
5" CASTERS	1	5975

*5" CASTER PACK 5975

<u>ITEM</u>	<u>DESCRIPTION</u>	<u>QTY</u>	<u>PN</u>
1	5" CASTER, SWIVEL	2	5973
2	5" CASTER, SWIVEL W/ BRAKE	2	5974
3	PACKAGE SET (ORINGS, 8 EA.)	1	9939

AV8-44LT (7003)

REVISION: 9/02
INST. SHEET:



COMPONENT PACKAGES

DESCRIPTION	QTY	PN
AV8-41	1	5390
A-757 LOADTOTER PACKAGE	1	5867

A-757 LOADTOTER PACKAGE

ITEM	DESCRIPTION	QTY	PN
1	CASTER, 8" RIGID	2	4329
2	CASTER, 8" SWIVEL W/ BRAKE	2	4331