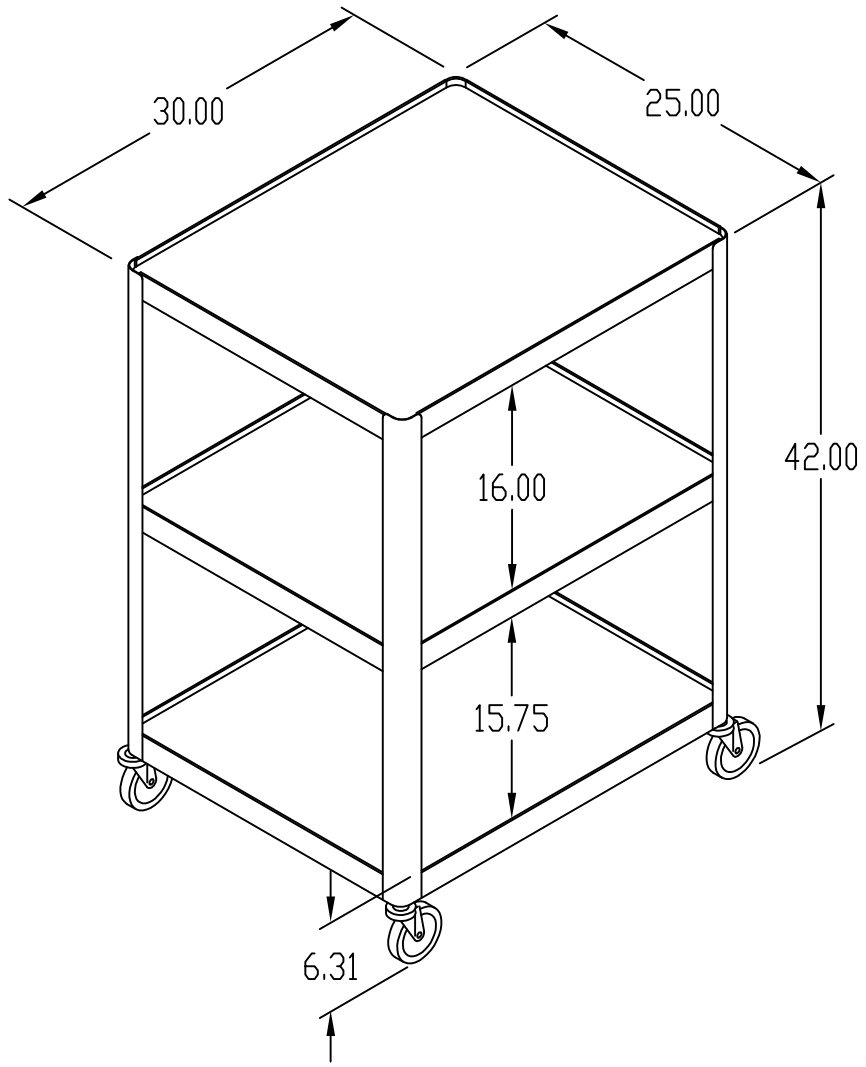


AV6-42

THE Advance
PRODUCTS COMPANY
1199 E. Central, Wichita, KS 67214-3922 Ph: (316) 263-4231

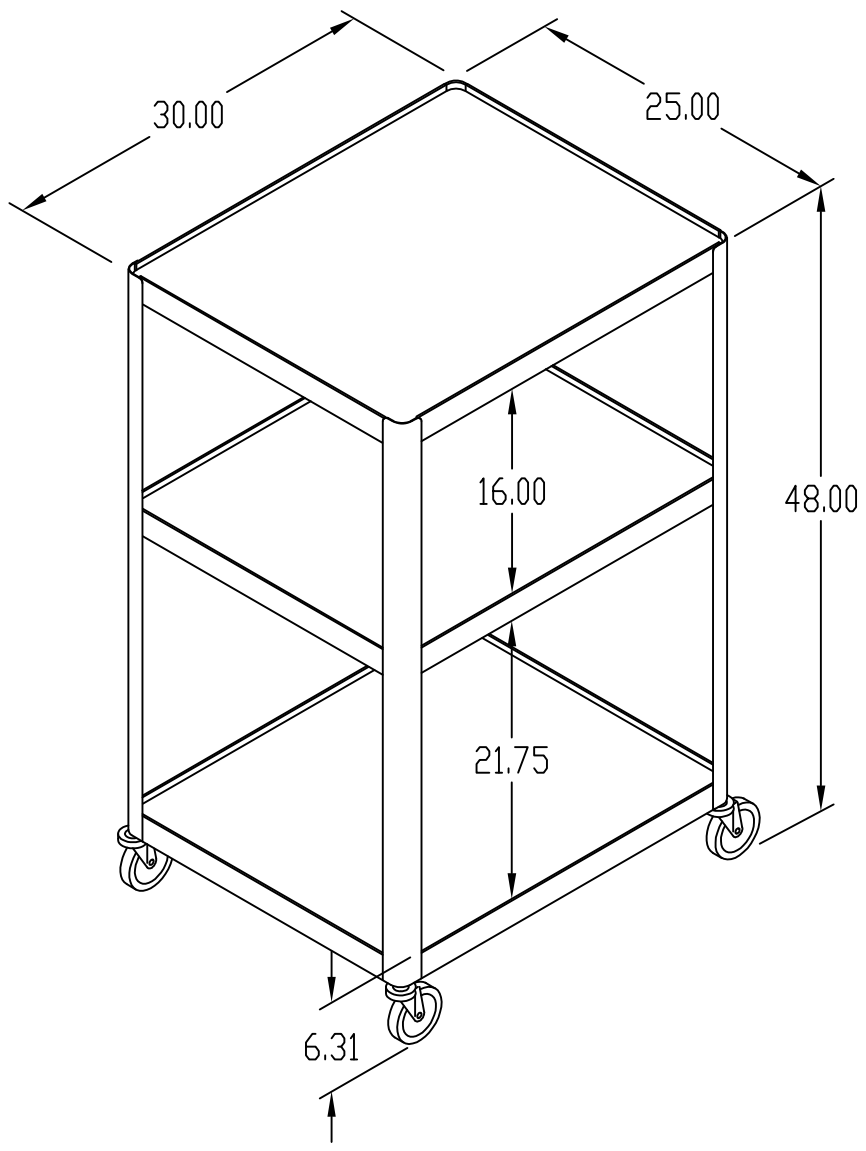
THIS DRAWING IS THE PROPERTY OF THE ADVANCE PRODUCTS COMPANY AND IS NOT TO BE REPRODUCED OR USED TO FURNISH INFORMATION FOR MAKING DRAWINGS EXCEPT WHERE PROVIDED BY AGREEMENT WITH SAID COMPANY.



AV6-48

THE Advance
PRODUCTS COMPANY
1199 E. Central, Wichita, KS 67214-3922 Ph: (316) 263-4231

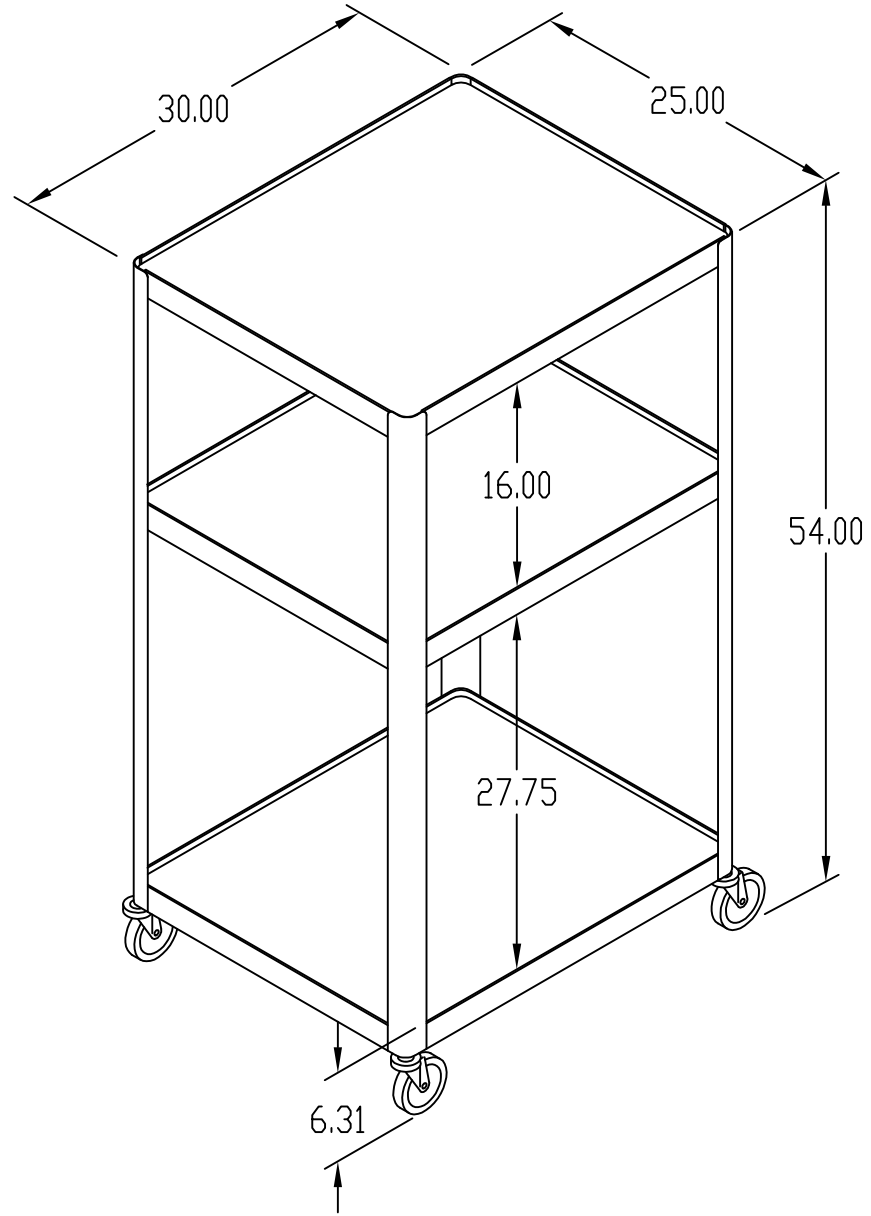
THIS DRAWING IS THE PROPERTY OF THE ADVANCE PRODUCTS COMPANY AND IS NOT TO BE REPRODUCED OR USED TO FURNISH INFORMATION FOR MAKING DRAWINGS EXCEPT WHERE PROVIDED BY AGREEMENT WITH SAID COMPANY.



AV6-54

THE Advance
PRODUCTS COMPANY
1199 E. Central, Wichita, KS 67214-3922 Ph: (316) 263-4231

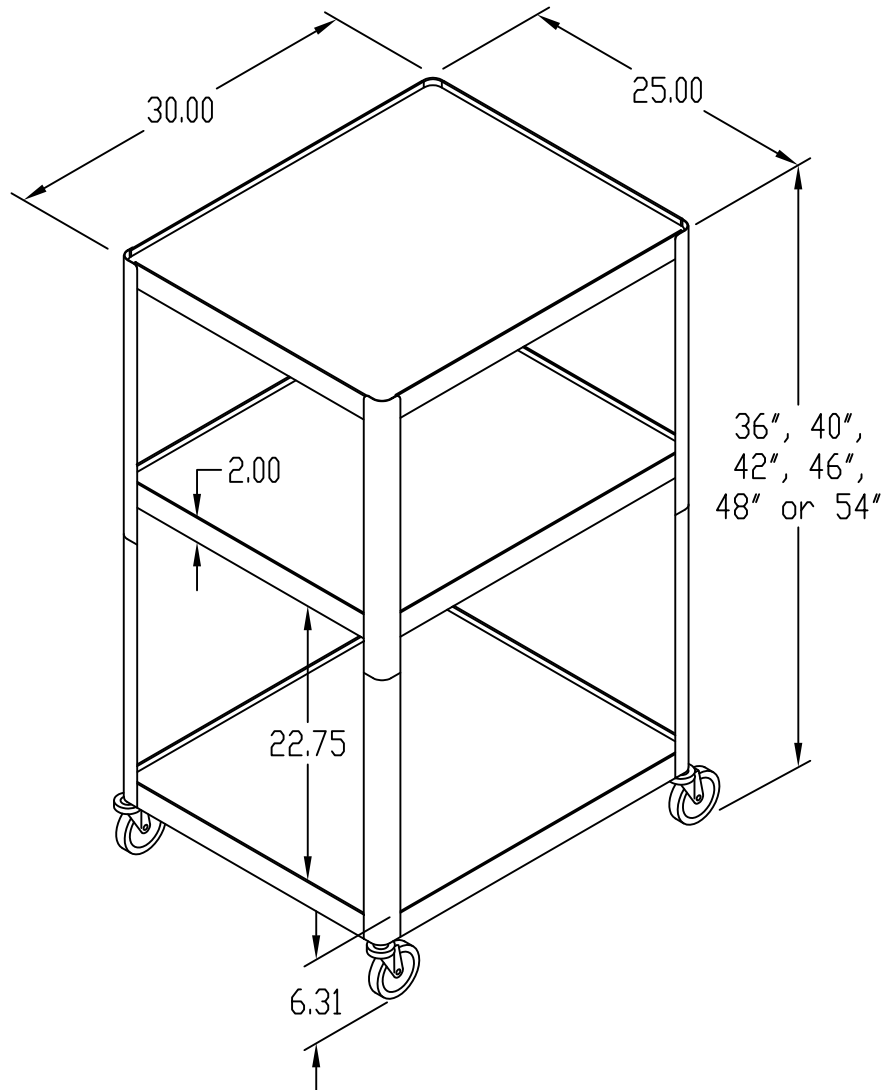
THIS DRAWING IS THE PROPERTY OF THE ADVANCE PRODUCTS COMPANY AND IS NOT TO BE REPRODUCED OR USED TO FURNISH INFORMATION FOR MAKING DRAWINGS EXCEPT WHERE PROVIDED BY AGREEMENT WITH SAID COMPANY.




AV6-54J

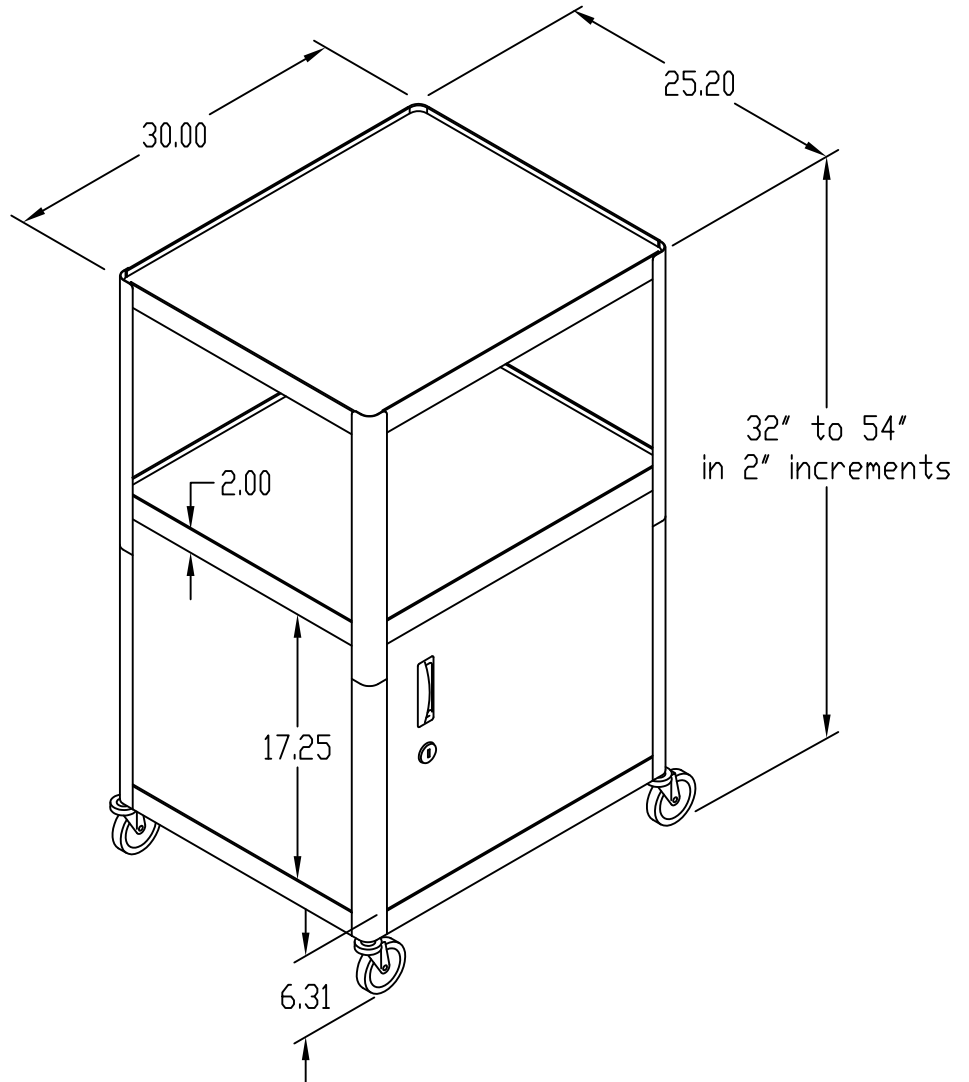
THE **Advance**
PRODUCTS COMPANY
1199 E. Central, Wichita, KS 67214-3922 Ph: (316) 263-4231

THIS DRAWING IS THE PROPERTY OF THE ADVANCE PRODUCTS COMPANY AND IS NOT TO BE REPRODUCED OR USED TO FURNISH INFORMATION FOR MAKING DRAWINGS EXCEPT WHERE PROVIDED BY AGREEMENT WITH SAID COMPANY.



AV6C-54J

<p>THE Advance PRODUCTS COMPANY 1199 E. Central, Wichita, KS 67214-3922 Ph: (316) 263-4231</p>	<p>THIS DRAWING IS THE PROPERTY OF THE ADVANCE PRODUCTS COMPANY AND IS NOT TO BE REPRODUCED OR USED TO FURNISH INFORMATION FOR MAKING DRAWINGS EXCEPT WHERE PROVIDED BY AGREEMENT WITH SAID COMPANY.</p>	
--	--	---



AVCT6-54J

THE Advance
PRODUCTS COMPANY
1199 E. Central, Wichita, KS 67214-3922 Ph: (316) 263-4231

THIS DRAWING IS THE PROPERTY OF THE ADVANCE PRODUCTS COMPANY AND IS NOT TO BE REPRODUCED OR USED TO FURNISH INFORMATION FOR MAKING DRAWINGS EXCEPT WHERE PROVIDED BY AGREEMENT WITH SAID COMPANY.

