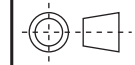


SSCR2.1/2.2

Height: 338 (13.31")
 Length: 1238/1538 (48.74"/60.55")
 Width: 675 (26.57")

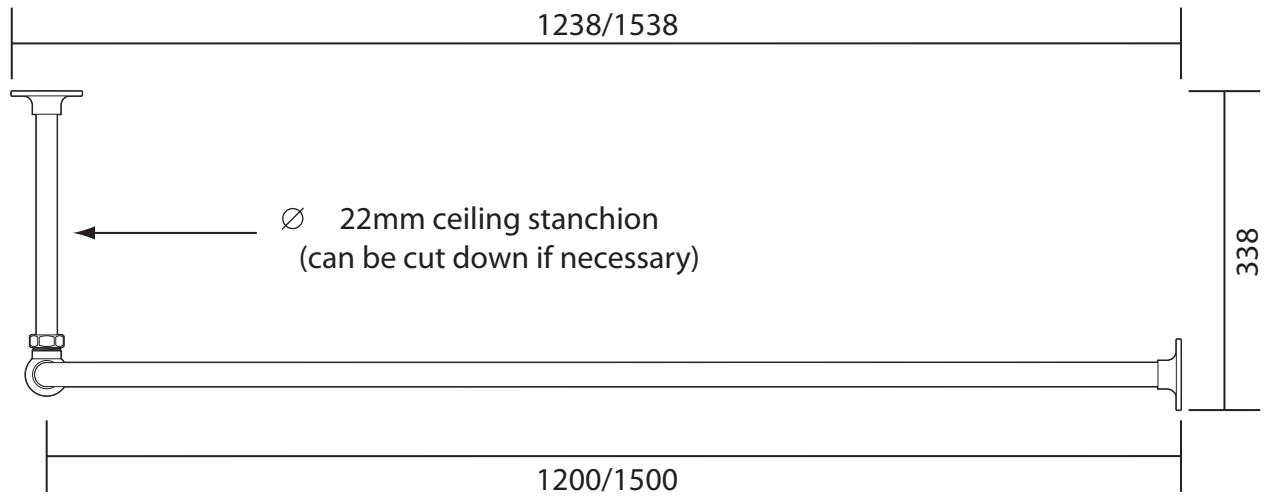
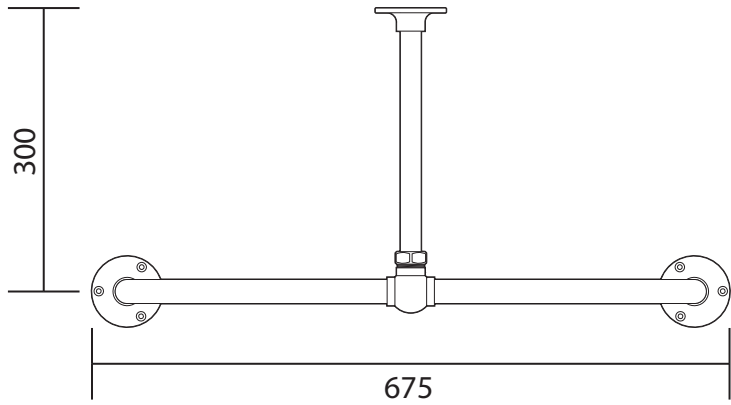
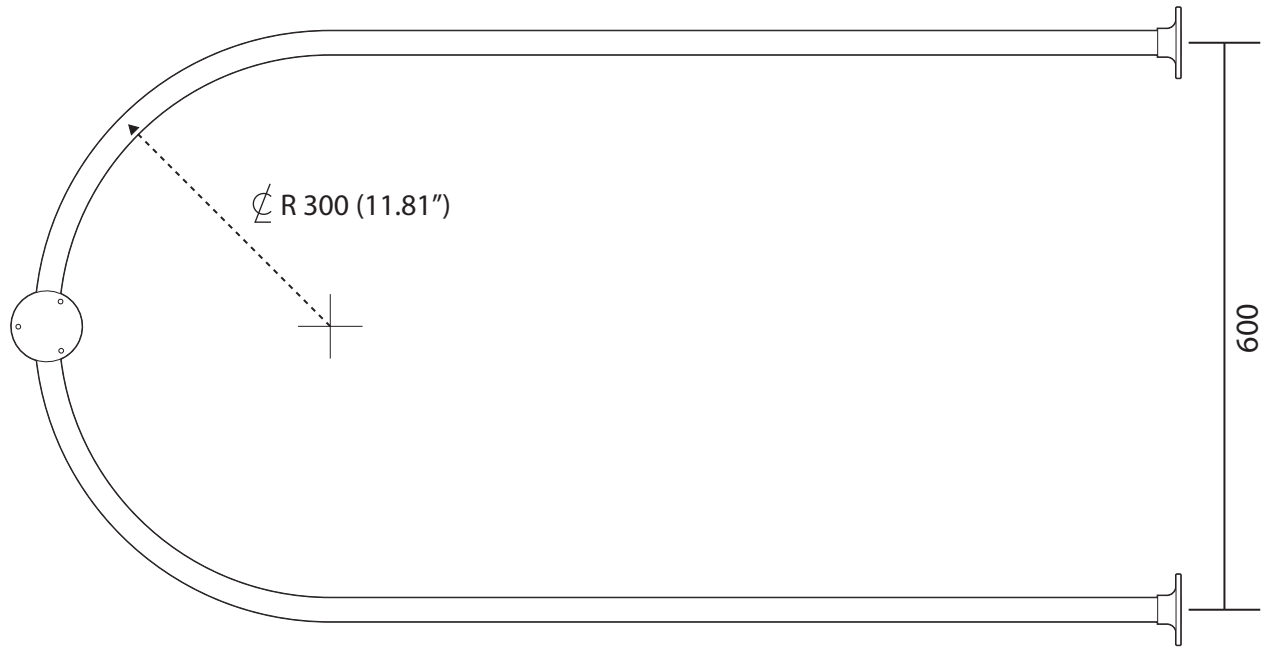
Tube \varnothing : 25.4 (1")
 Output @ 50°C Δ T: unheated
 Electric element: n/a

All dimensions in millimetres & inches



SCALE 1:8

mm's	inches
1238	48.74
1538	60.55
1200	47.24
1500	59.06
338	13.31
675	26.57
300	11.81



Manufactured from ISO/CEN CuZn30As (BS CZ126) brass tube