

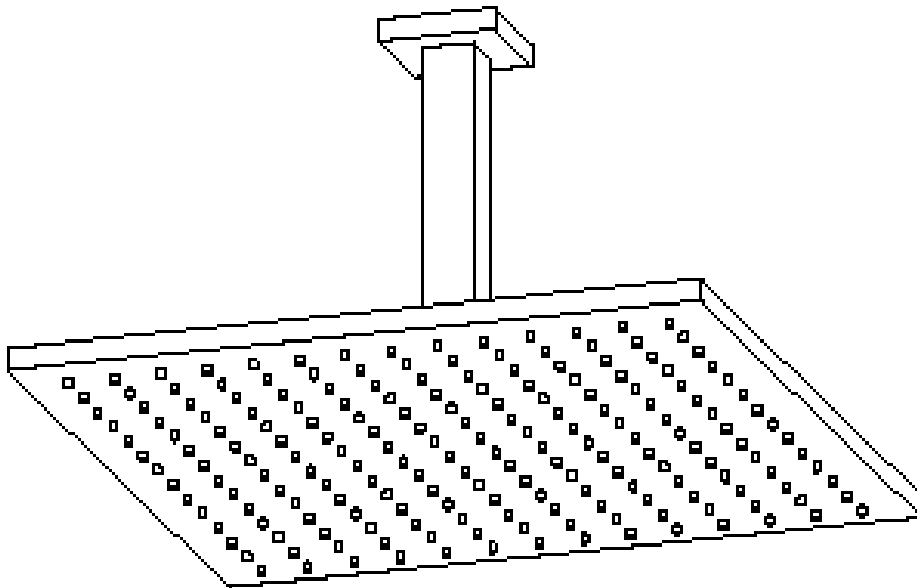
# ARTOS®

www.artos-westover.com

## Installation Guide

*12" SHOWER RAIN HEAD CEILING MOUNT*

*F907-12/5*

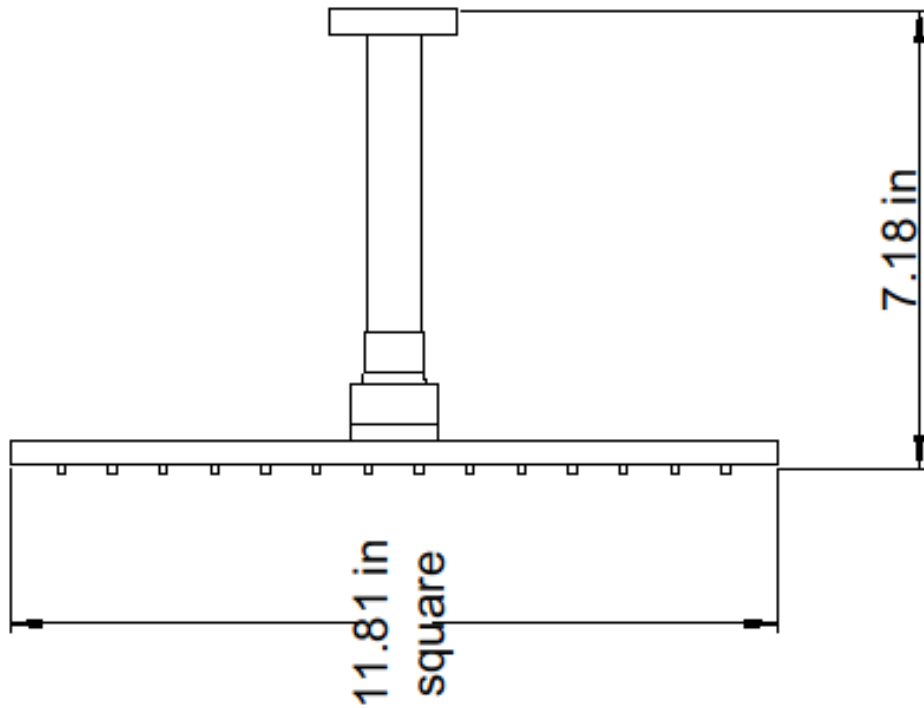


9071250411

This publication is for illustrative purposes only and we reserve the right to change details at anytime as deemed necessary.

(fig A)

## DIMENSIONS



## SPECIFICATIONS

Recommended flow pressure between 15 and 75 psi. Above 90 psi it may be necessary to install a pressure reducer. Maximum operating temperature 176°F

9071250411

## *INSTALLATION STEPS*

1. Prepare rough in connection in the wall to accept threaded arm so that rear of escutcheon is against finished wall surface.
2. If rough in is prepared before wall finish thickness is known, set outlet at least 2.5 " behind the cement board and use connector and nipple to achieve correct positioning.
3. Thread arm into wall outlet.
4. Thread the head on to the arm.
5. Turn on water supply and check for water tightness.

## CARE & MAINTENANCE

For best results, keep the following in mind to retain the high quality finish of your *ARTOS* faucet:

- Use a soft, dampened sponge or cloth. On no account should you use an abrasive material such as a brush, scouring pad or steel wool to clean surfaces.
- Test your cleaning agent solution on an inconspicuous area before applying to the entire faucet.
- Wipe surfaces clean and rinse completely with water immediately after applying cleaning agent.
- An ideal cleaning technique is to rinse faucet thoroughly and blot dry any water from the surface after each use.

## LIMITED LIFETIME WARRANTY

*ARTOS* faucets are guaranteed for life against leaks and finishing defects for as long as the original purchaser owns it.

Damage caused by accident, misuse, abuse, improper installation, improper cleaning or alteration will void the warranty. This warranty does not cover replacement parts where damage is caused by normal wear and tear. Westover, Inc is not responsible for labor charges, installation or other incidental or consequential costs. Proof of purchase must be provided with all claims.

PLEASE REGISTER THIS PRODUCT ONLINE AT [WWW.ARTOS-WESTOVER.COM](http://WWW.ARTOS-WESTOVER.COM)

**Item No**  
**Serial No**

9071250411

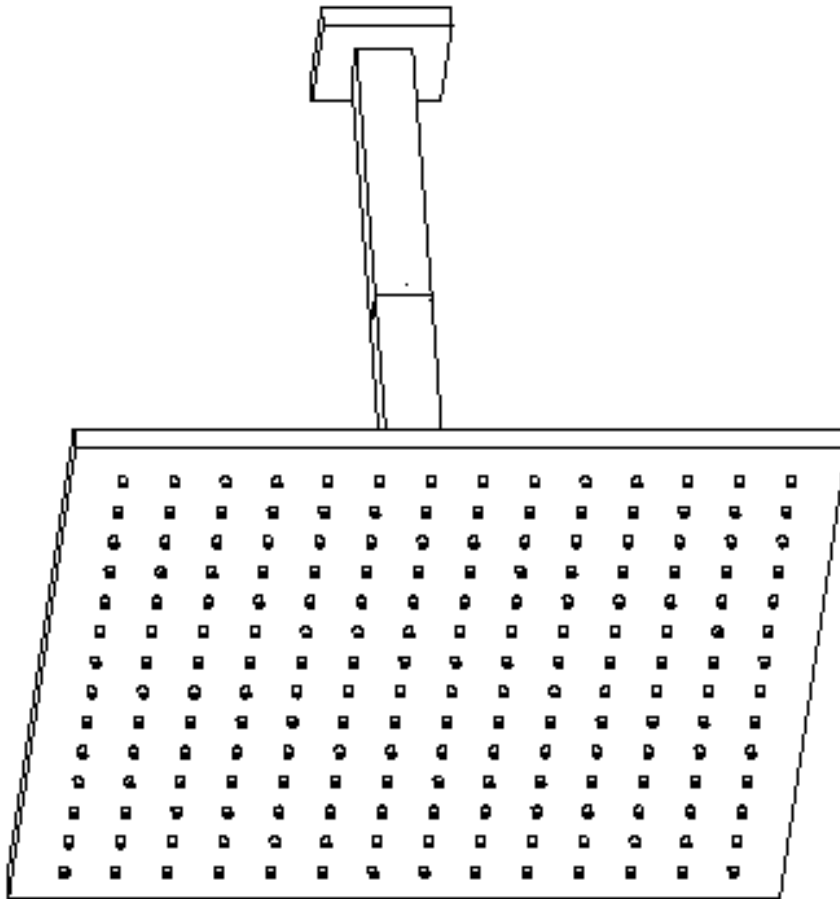
# ARTOS<sup>®</sup>

www.artos-westover.com

## Installation Guide

*12" SHOWER RAIN HEAD CEILING MOUNT*

*F907-12/9*

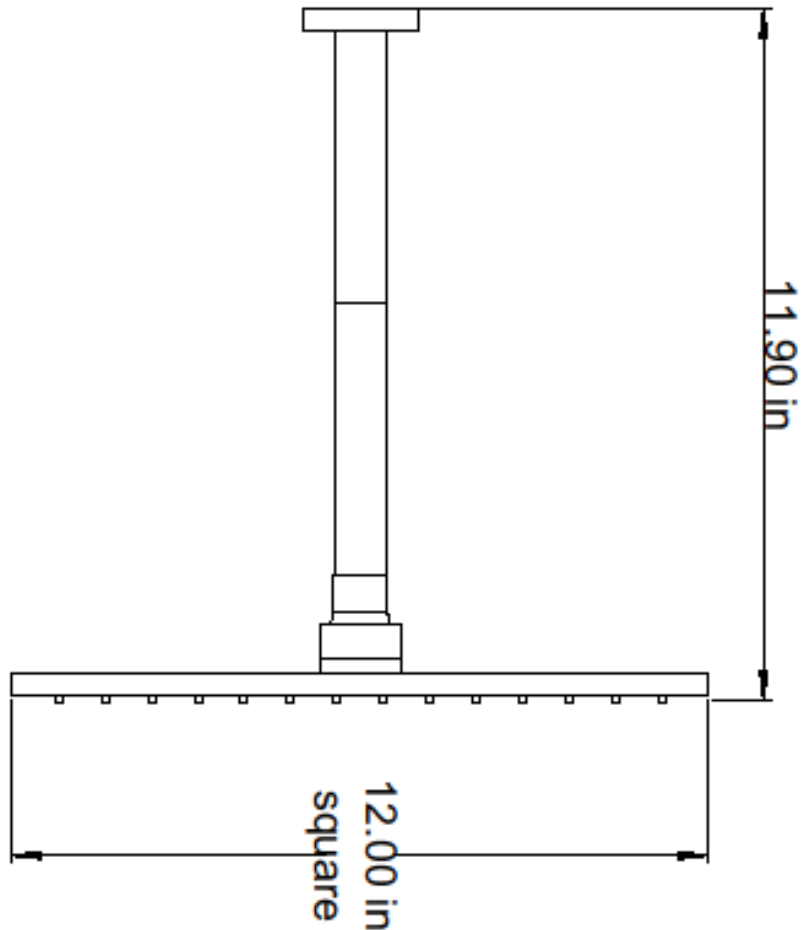


9071290411

This publication is for illustrative purposes only and we reserve the right to change details at anytime as deemed necessary.

(fig A)

## DIMENSIONS



## SPECIFICATIONS

Recommended flow pressure between 15 and 75 psi. Above 90 psi it may be necessary to install a pressure reducer. Maximum operating temperature 176°F

9071290411

## *INSTALLATION STEPS*

1. Prepare rough in connection in the wall to accept threaded arm so that rear of escutcheon is against finished wall surface.
2. If rough in is prepared before wall finish thickness is known, set outlet at least 2.5 " behind the cement board and use connector and nipple to achieve correct positioning.
3. Thread arm into wall outlet.
4. Thread the head on to the arm.
5. Turn on water supply and check for water tightness.

## CARE & MAINTENANCE

For best results, keep the following in mind to retain the high quality finish of your *ARTOS* faucet:

- Use a soft, dampened sponge or cloth. On no account should you use an abrasive material such as a brush, scouring pad or steel wool to clean surfaces.
- Test your cleaning agent solution on an inconspicuous area before applying to the entire faucet.
- Wipe surfaces clean and rinse completely with water immediately after applying cleaning agent.
- An ideal cleaning technique is to rinse faucet thoroughly and blot dry any water from the surface after each use.

## LIMITED LIFETIME WARRANTY

*ARTOS* faucets are guaranteed for life against leaks and finishing defects for as long as the original purchaser owns it.

Damage caused by accident, misuse, abuse, improper installation, improper cleaning or alteration will void the warranty. This warranty does not cover replacement parts where damage is caused by normal wear and tear. Westover, Inc is not responsible for labor charges, installation or other incidental or consequential costs. Proof of purchase must be provided with all claims.

PLEASE REGISTER THIS PRODUCT ONLINE AT [WWW.ARTOS-WESTOVER.COM](http://WWW.ARTOS-WESTOVER.COM)

**Item No**  
**Serial No**

9071290411

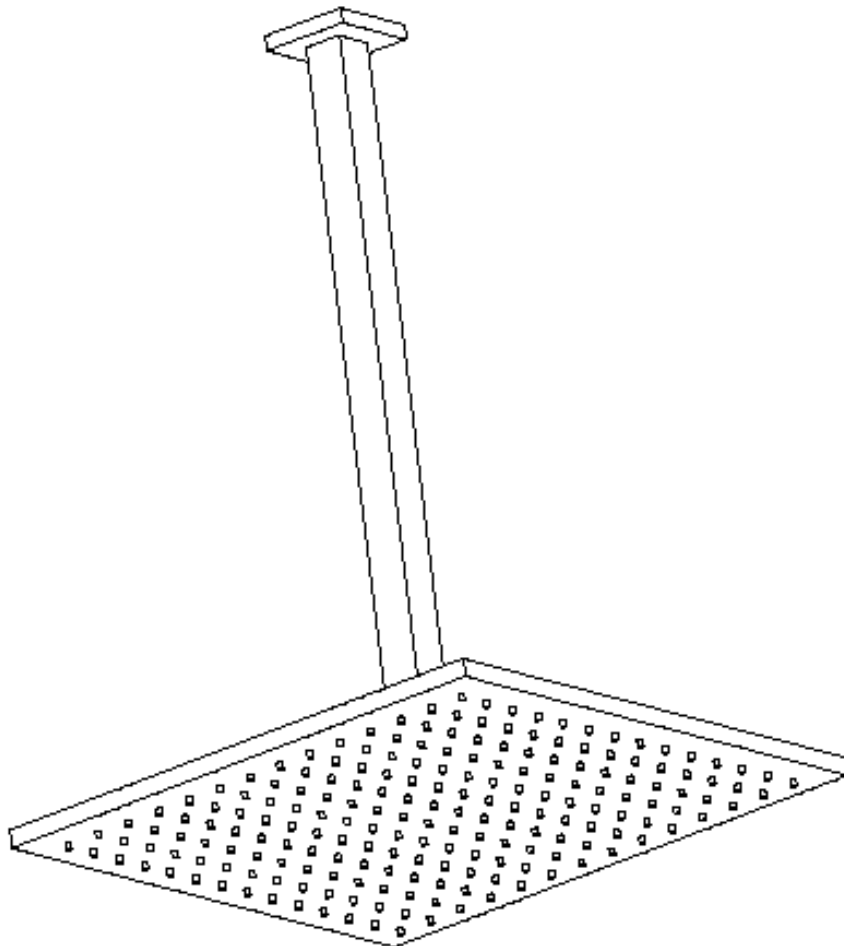
# ARTOS<sup>®</sup>

www.artos-westover.com

## Installation Guide

**12" SHOWER RAIN HEAD CEILING MOUNT**

**F907-12/14**

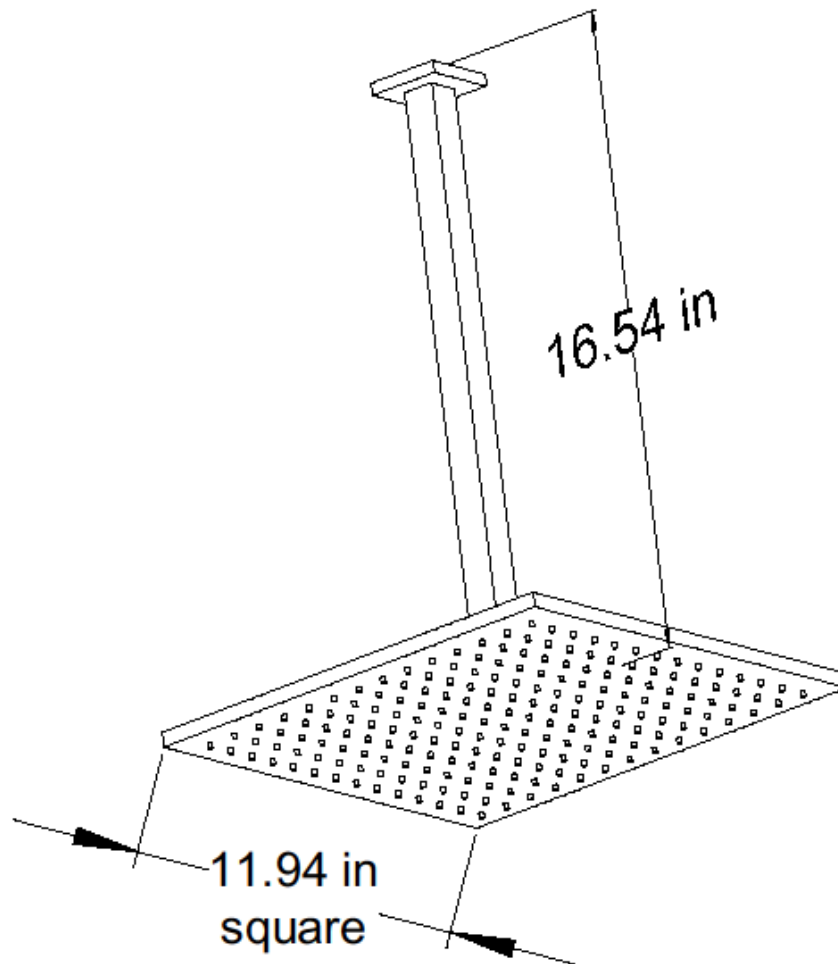


90712140411

This publication is for illustrative purposes only and we reserve the right to change details at anytime as deemed necessary.

(fig A)

## DIMENSIONS



## SPECIFICATIONS

Recommended flow pressure between 15 and 75 psi. Above 90 psi it may be necessary to install a pressure reducer. Maximum operating temperature 176°F

90712140411

## *INSTALLATION STEPS*

1. Prepare rough in connection in the wall to accept threaded arm so that rear of escutcheon is against finished wall surface.
2. If rough in is prepared before wall finish thickness is known, set outlet at least 2.5 " behind the cement board and use connector and nipple to achieve correct positioning.
3. Thread arm into wall outlet.
4. Thread the head on to the arm.
5. Turn on water supply and check for water tightness.

## CARE & MAINTENANCE

For best results, keep the following in mind to retain the high quality finish of your *ARTOS* faucet:

- Use a soft, dampened sponge or cloth. On no account should you use an abrasive material such as a brush, scouring pad or steel wool to clean surfaces.
- Test your cleaning agent solution on an inconspicuous area before applying to the entire faucet.
- Wipe surfaces clean and rinse completely with water immediately after applying cleaning agent.
- An ideal cleaning technique is to rinse faucet thoroughly and blot dry any water from the surface after each use.

## LIMITED LIFETIME WARRANTY

*ARTOS* faucets are guaranteed for life against leaks and finishing defects for as long as the original purchaser owns it.

Damage caused by accident, misuse, abuse, improper installation, improper cleaning or alteration will void the warranty. This warranty does not cover replacement parts where damage is caused by normal wear and tear. Westover, Inc is not responsible for labor charges, installation or other incidental or consequential costs. Proof of purchase must be provided with all claims.

PLEASE REGISTER THIS PRODUCT ONLINE AT [WWW.ARTOS-WESTOVER.COM](http://WWW.ARTOS-WESTOVER.COM)

**Item No**  
**Serial No**

90712140411