

I. Installation Notice

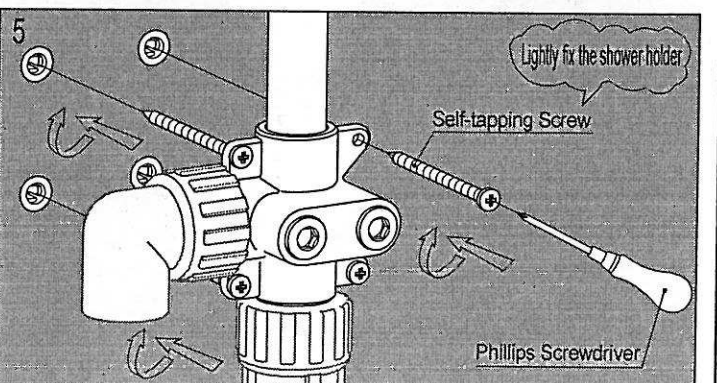
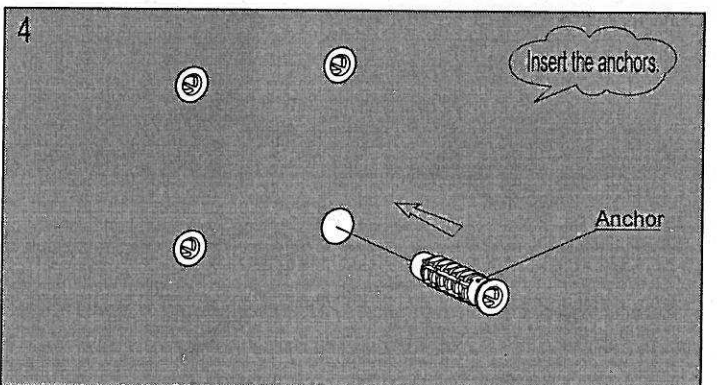
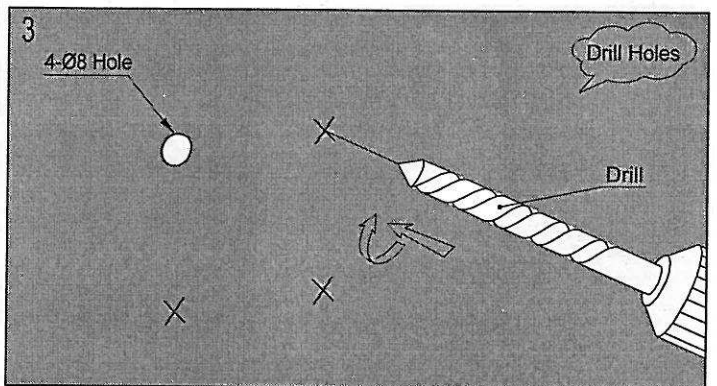
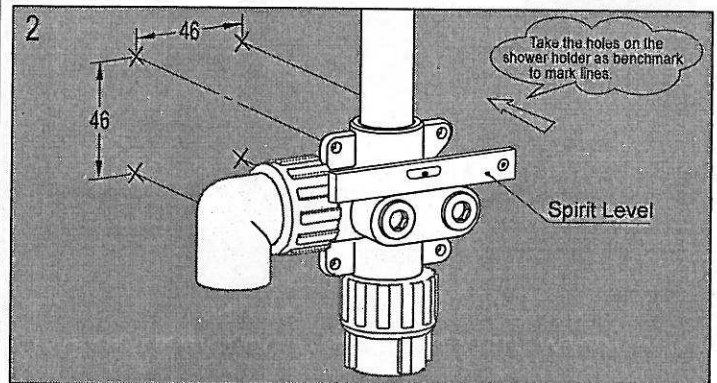
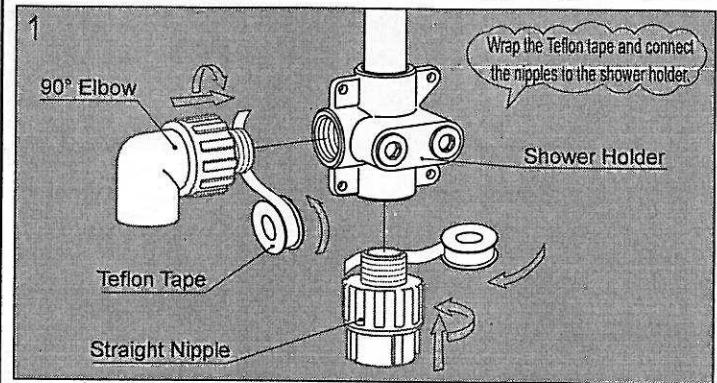
1. Install water supply lines in accordance with this manual.
2. Floor drain should be installed in the location of the faucet.
3. Install the faucet only after the completion of house interior decoration in case paint or other chemicals erode the faucet surface.
4. Clean pipes to get rid of mud, sand or other debris blocked in pipes.
5. Wrap the thread part with Teflon tape before it is screwed. To avoid damage to the faucet, use a piece of cloth as a pad between the wrench mouth and the faucet. (Check whether the threads can be matched. Otherwise, too strong force applied to the wrench will damage the faucet).
6. After installation, check all the joints to make sure they are firmly connected. Then keep water flow. Turn on and off repeatedly to ensure there is no leakage around the joints. At this stage, the product is ready for normal use.
7. Keep the manual to the user.

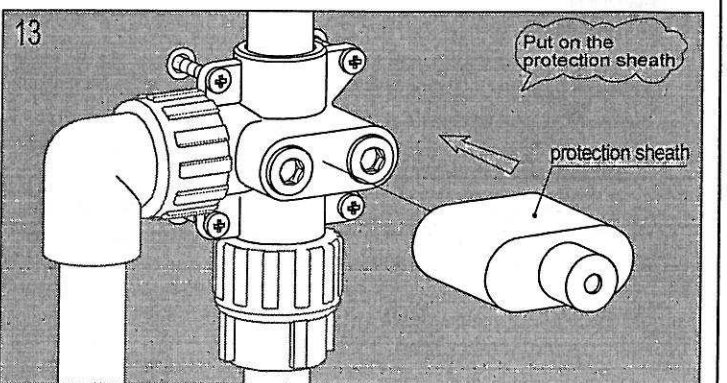
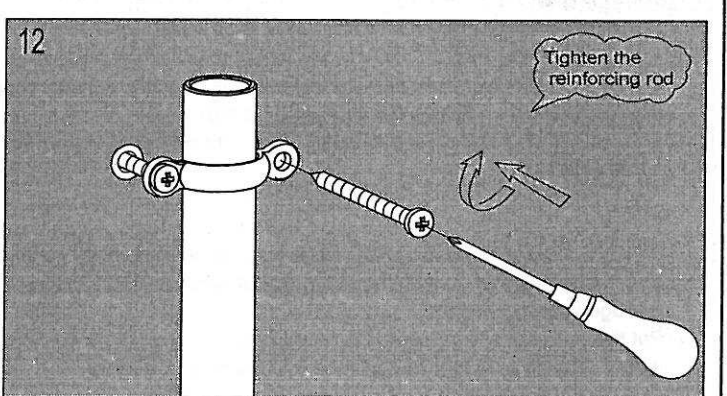
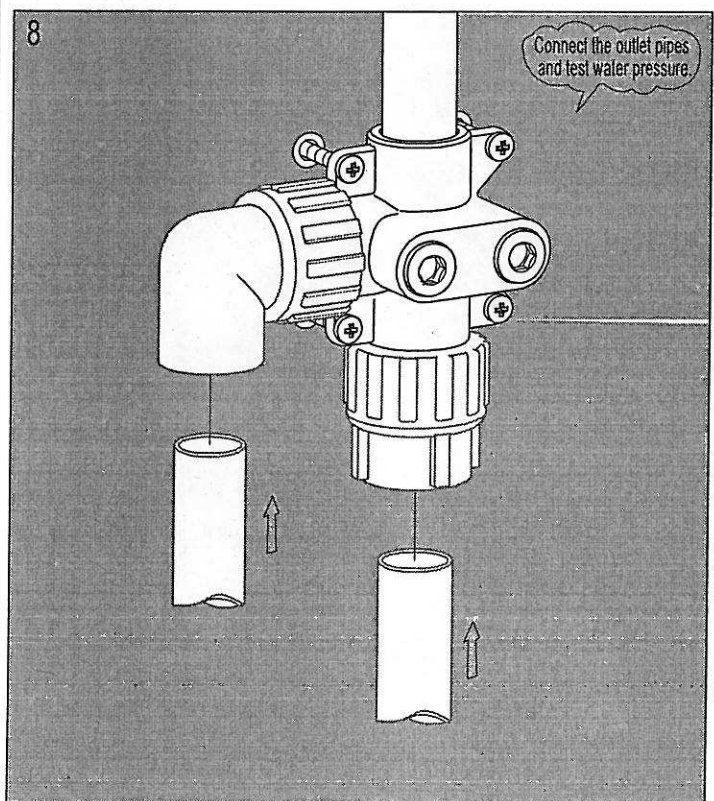
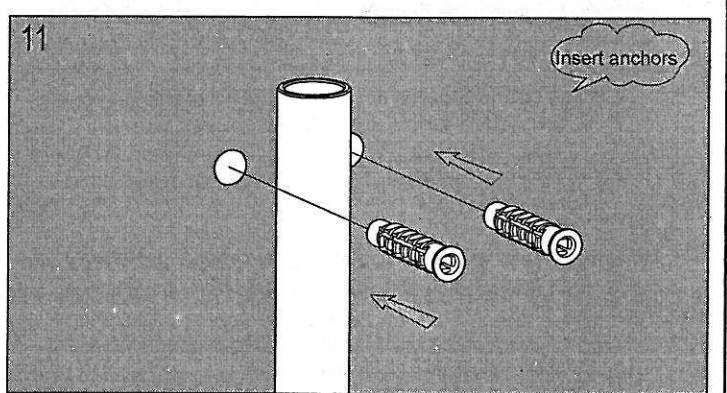
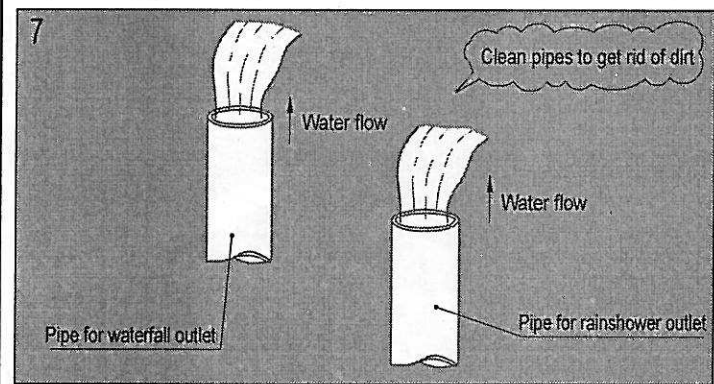
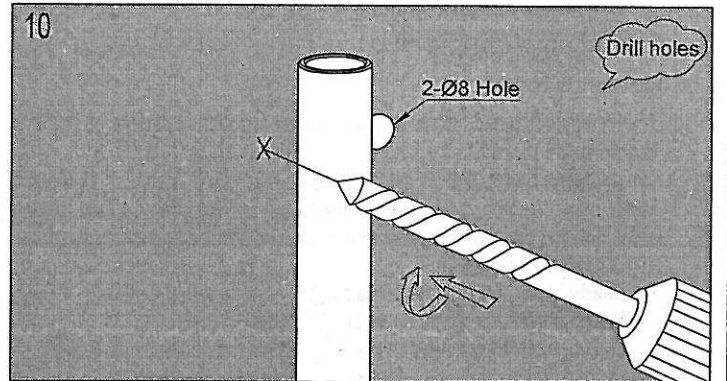
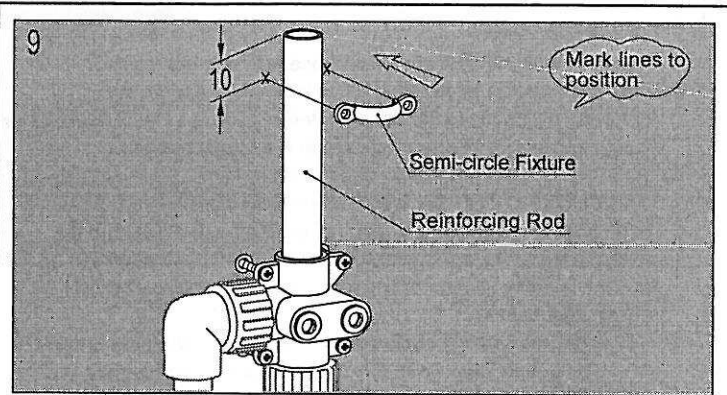
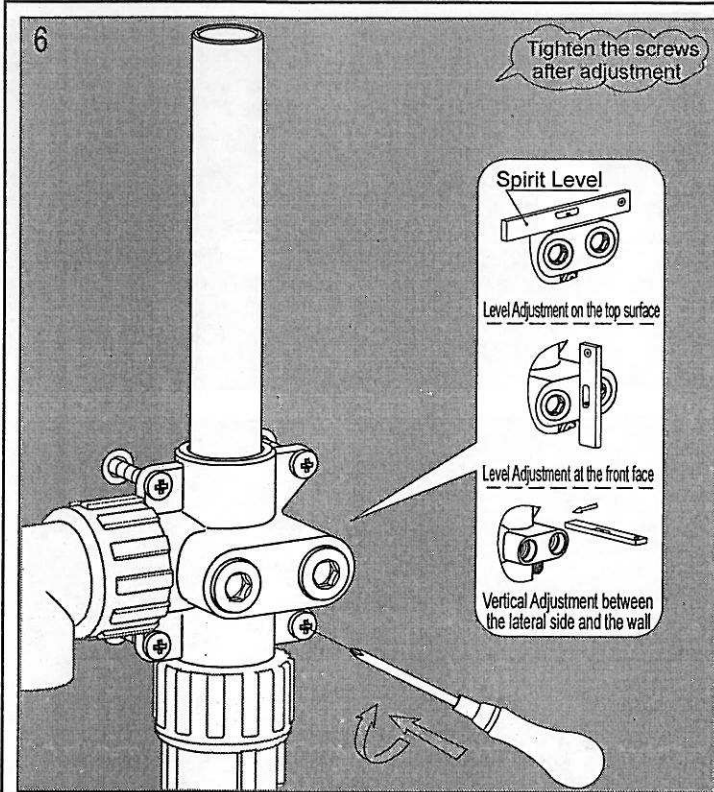
II. Operation Notice

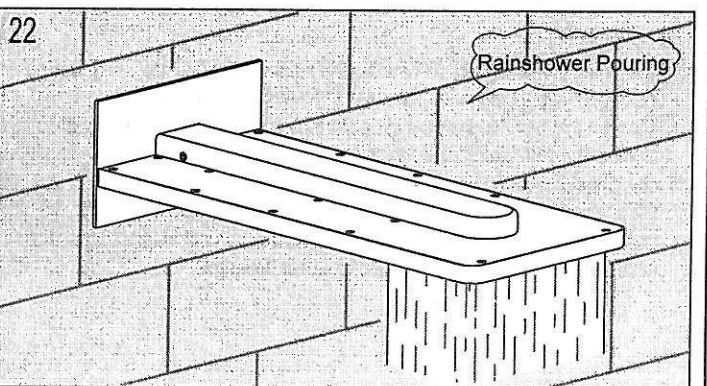
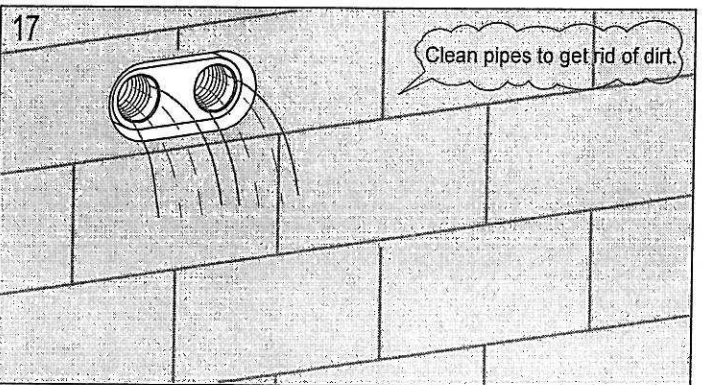
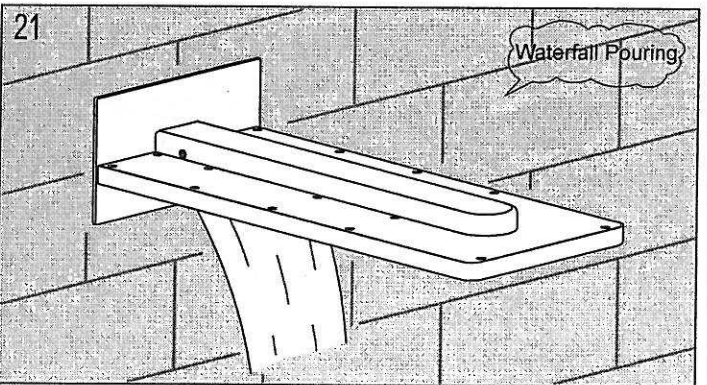
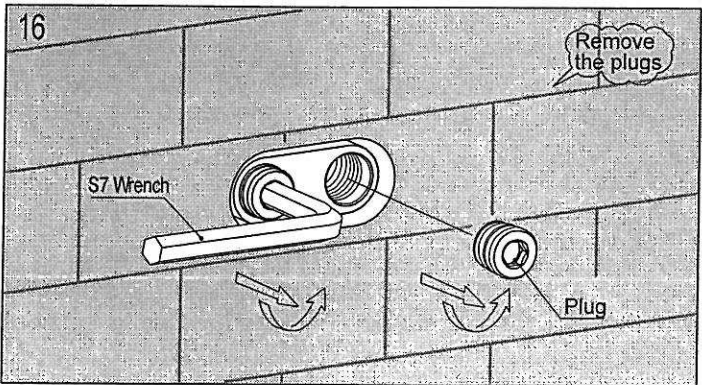
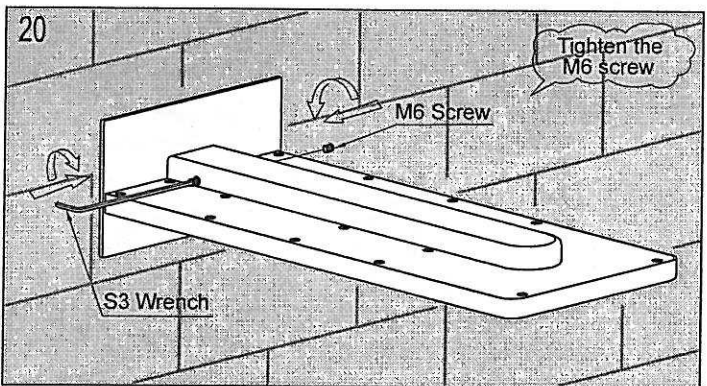
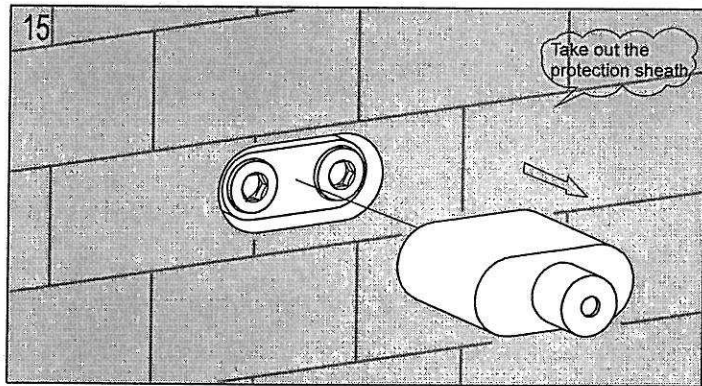
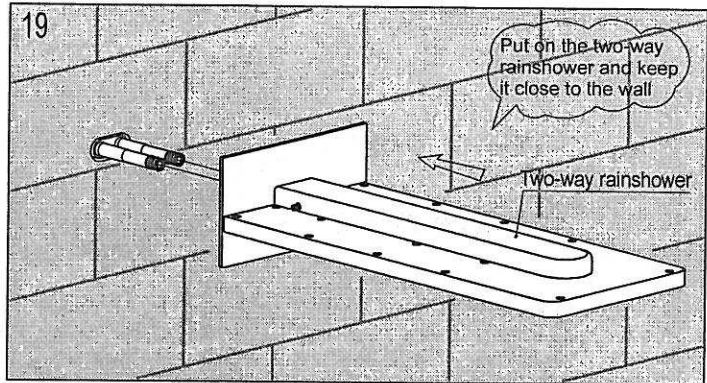
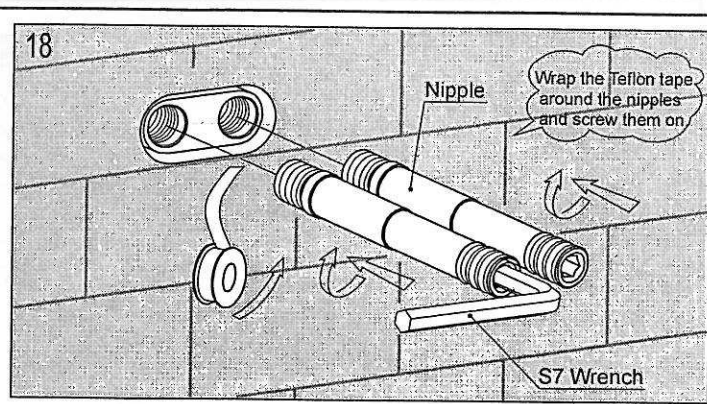
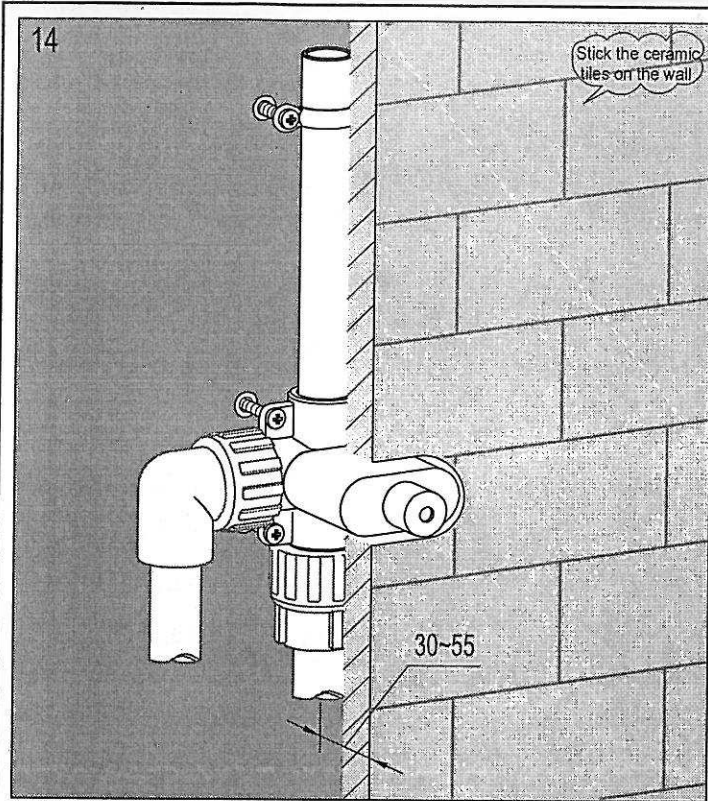
1. The product is used between water pressure 0.2~1.0MPa, water temperature 0~90°C.
2. Do not hang heavy things on the faucet.
3. Make sure the faucet is off when no water comes out of it (especially when nobody resides in the house or during the period of decoration or the absence of water).
4. Regularly clean the surface of faucet in neutral wash solution. Then dry it with a piece of soft cotton cloth to keep it bright.
5. When the room temperature drops to below 0°C, take necessary measures (such measures as keeping faucet warm and closing windows) to prevent the faucet from being frozen and even broken (especially when windows kept open for air ventilation while nobody resides in).
6. First turn on cold water, then hot water. To avoid scalding, regulate the water temperature before washing or showering and do not touch the faucet of hot water part.
7. Do not disassemble the product unless you are an expert.

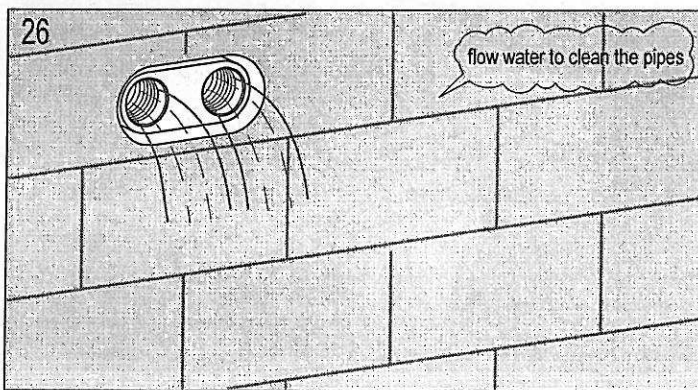
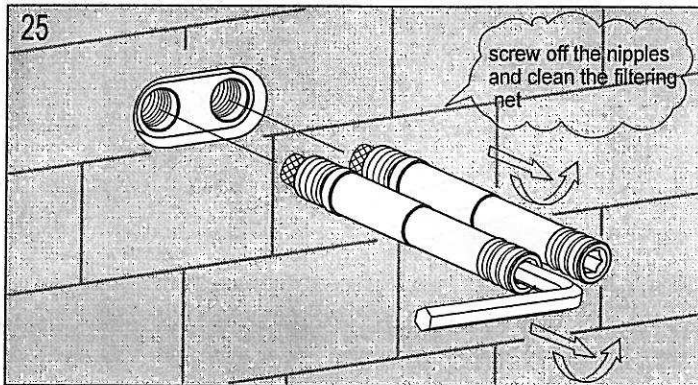
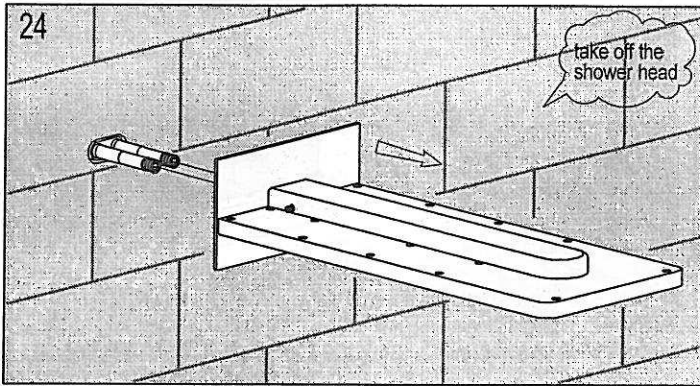
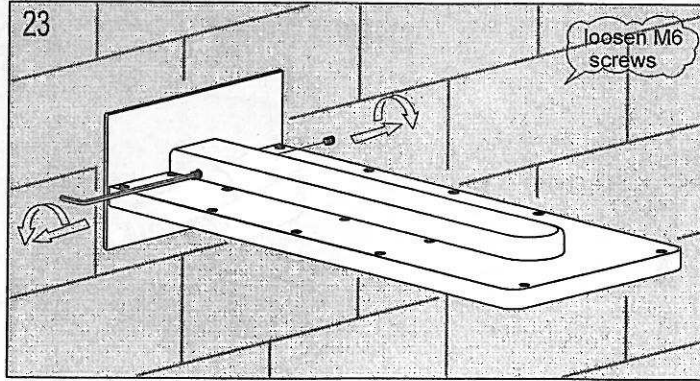
III. Installing Steps

1. Wrap the 90° elbow and the straight nipple with the Teflon tape, then screw them into the shower holder, and keep the two connecting holes downward. (Fig.1)
2. Take the 4 holes on the shower holder as benchmark to mark lines on the wall.(Attention: adjust shower holder with the spirit level to keep it level.) (Fig.2)
3. Drill four Ø8 holes where marks are made, then insert the anchors. (Fig.3, 4).
4. Lightly fix the shower holder on the wall with the anchors, adjust it with spirit level and then tighten the anchors. (Fig.5,6)
5. Clean pipes to get rid of mud, sand or other debris blocked in the two pipes. (Fig.7)
6. Connect the waterfall and shower pipes, turn on the water supply to keep the pressure for 2 hours. Ensure there is no leakage. Attention: As the product is a built-in valve, before ceramic tiles are stuck on the wall, keep water flow to test the endurance of water pressure in case leakage occurs. (Fig.8)
7. Put the semi-circle fixture onto the reinforcing rod, and take the 2 holes on the semi-circle fixture as benchmark to mark lines. (Fig.9)
8. Drill two Ø8 holes where marks are made, then insert the anchors. (Fig10,11)
9. Lock the reinforcing rod with the semi-circle fixture. (Fig.12)
10. Put on the protection sheath and stick the ceramic tiles, the distance between the pipe center and the wall being 30~55mm. (Fig.13,14)
11. Remove the protection sheath and the plugs. (Fig.15,16)
12. Keep water flow to get rid of mud, sand or other debris in the pipes and the shower holder. (Fig.17)
13. Wrap the two nipples with the Teflon tape, then screw them into the shower holder (Pay attention to the filtering nets on the nipples.) and tighten them with the S7 wrench. (Fig.18)
14. Put the two-way rainshower on, keep it close to the wall, and fix the two sides with the M6 screws. (Fig.19,20)
15. Turn on water for inspection. (Fig.21,22)









IV. Cleaning:

- After a period of usage, debris blocked under the aerator may cause lessened flowing volume. Take the following cleaning steps:
1. Loosen the two M6 screws on both sides and take off the two-function shower head (Fig.23 and Fig.24).
 2. Screw off the nipples and clean the filtering net (Fig.25)
 3. Flow water to clean the pipes and the shower holder (Fig.26)
 4. Install the parts in turn carefully in accordance with NO.13 and NO.14 of the installing steps. Check there is no leakage.