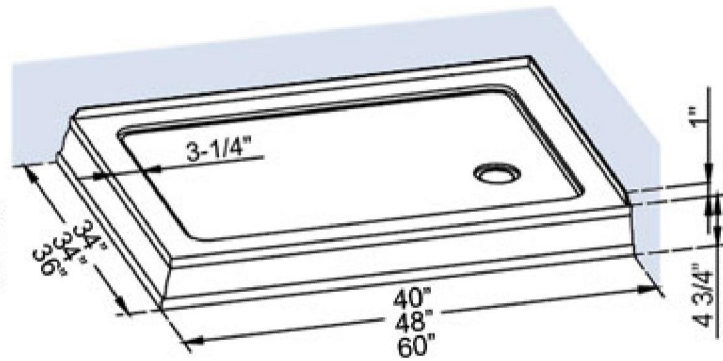


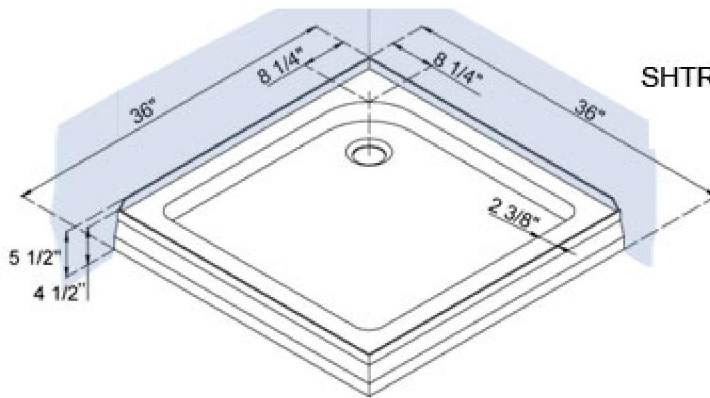
**Left-Hand Drain**

- SHTR-1034401 34" x 40"
- SHTR-1034481 34" x 48"
- SHTR-1036601 36" x 60"



**Right-Hand Drain**

- SHTR-1034402 34" x 40"
- SHTR-1034482 34" x 48"
- SHTR-1036602 36" x 60"



SHTR-1036360 36" x 36"