

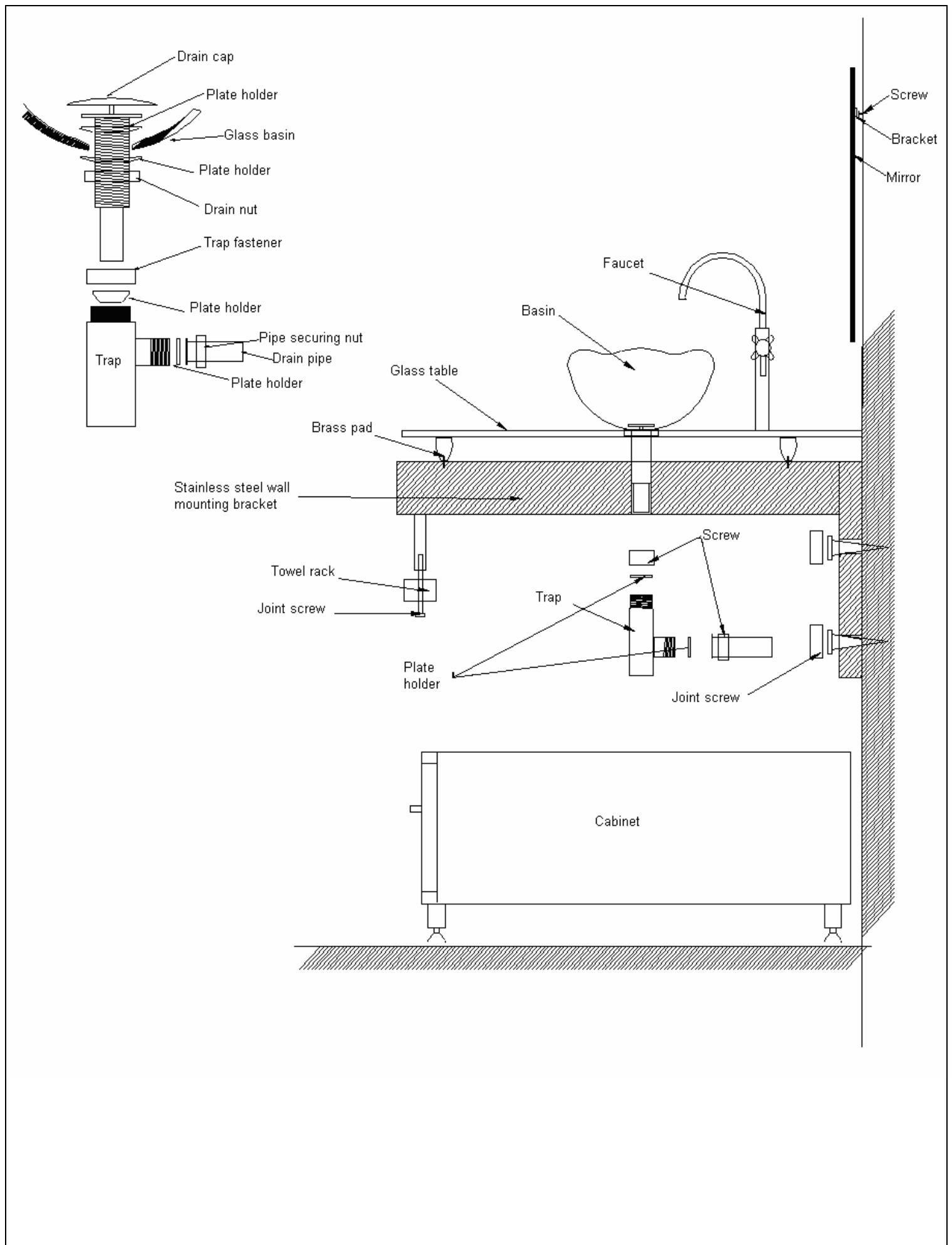


DLVG-206/2061 Installation Instructions



Mounting Process:

1. Locate the desired height to mount the sink brackets. Place a mark.
2. Make sure the mounting screws go inside the studs or any reinforcement behind the wall to withstand the weight of the glass countertop with the glass basin.
3. Secure the wall mounting brackets to the wall.
4. When placing the glass countertop on the metal pads make sure there are rubber gaskets in between the pads and the glass to prevent glass from scratching.
5. Place the mounting rings, washers and the glass basins on top of the glass countertop.
6. Connect trap to drain assembly. Hand tight to check alignment.
7. Secure the faucet in place. Connect hot and cold water lines.
8. Put the cabinet under sinks.
9. Mount the mirrors and shelves at desired position.

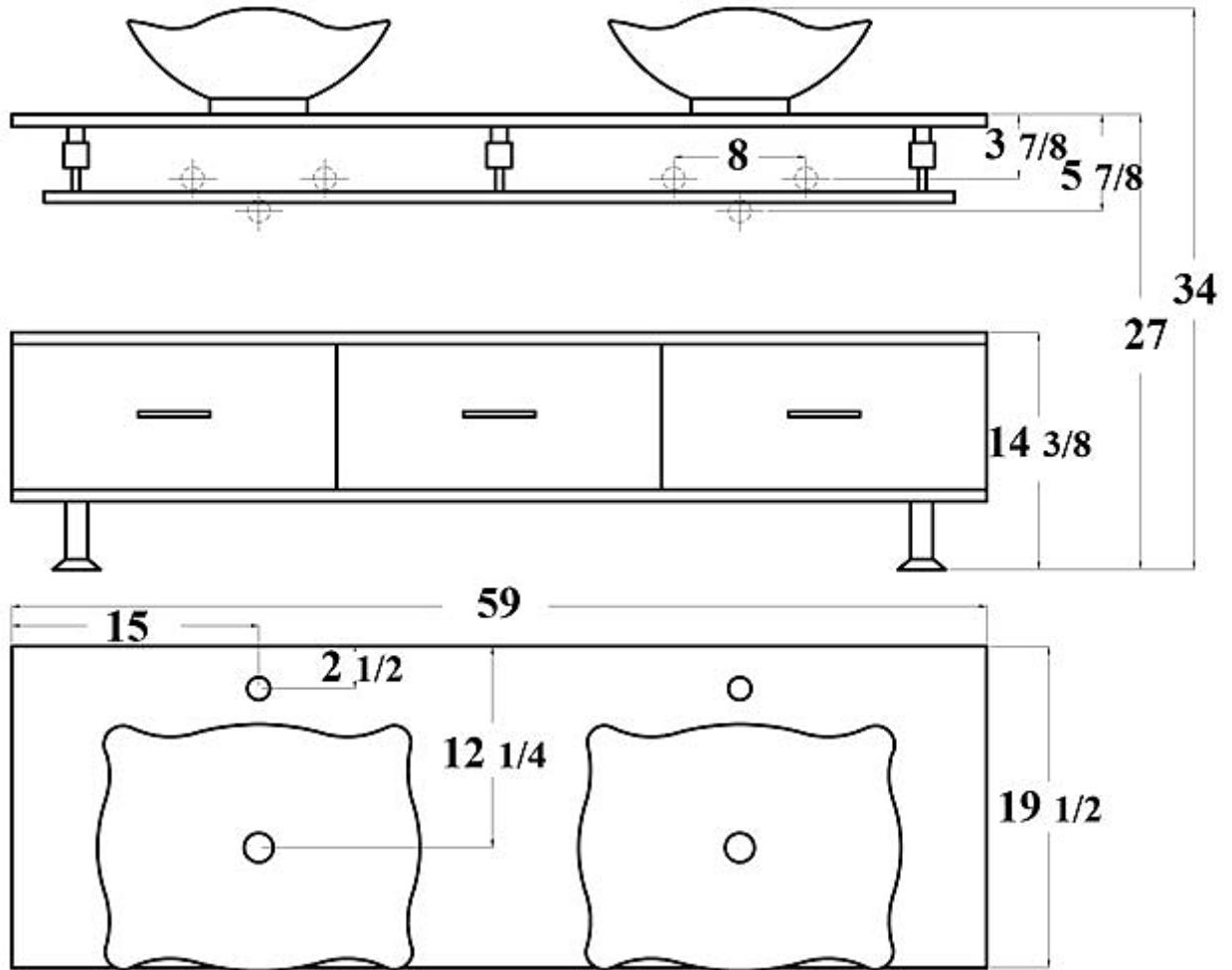


Parts list:



1.	Lag Bolt	6 pcs	5.	Chrome plated screw cover	10 pcs
2.	Machine Phillips Flat Head Bolt L5/8"	3 pcs	6.	Wall plastic anchor (used with Part #1)	6 pcs
3.	Phillips Flat Head Self-Tapping Screw	4 pcs	7.	Rubber washer	6 pcs
4.	Brass threaded washer	10 pcs	8.	Wall plastic anchor (used with Part# 3)	4 pcs

Rough-out for DLVG-206



Rough-out for DLVG-2061

