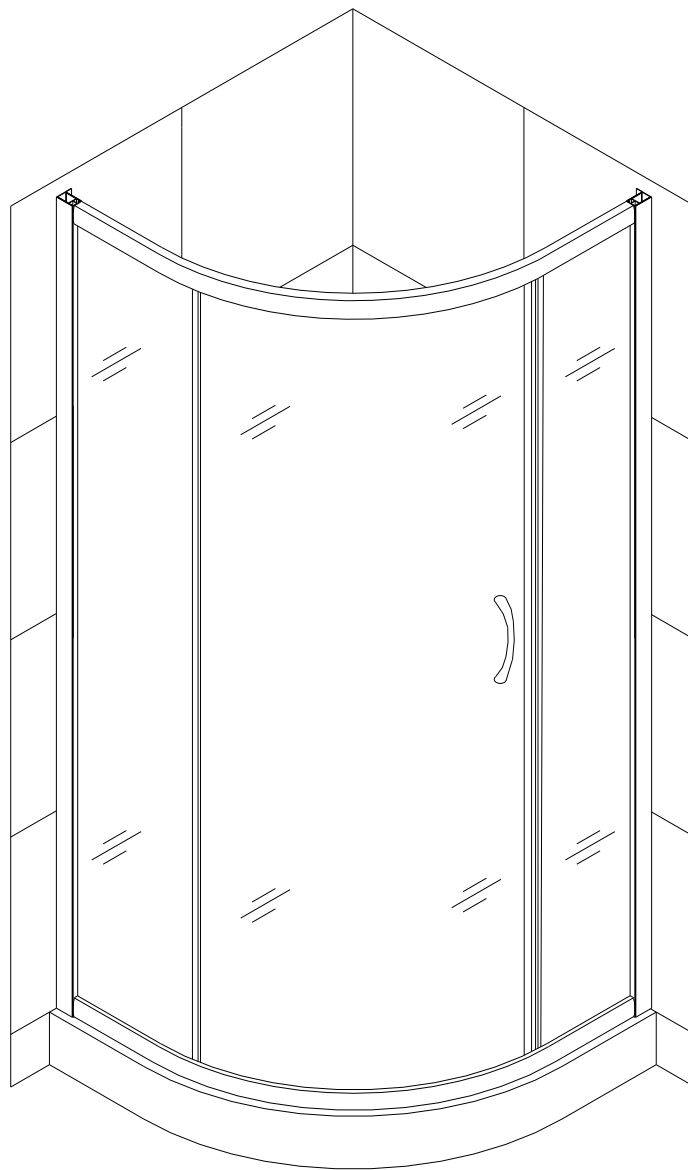




## SPARKLE Shower Enclosure Installation Instructions

### IMPORTANT

Please read carefully the following instructions before installing your shower enclosure. If you have any questions on this shower enclosure installation - please call our technical support specialists Monday to Friday 9:00AM – 6:00PM EST at **1-866-731-8378 Option 3** or e-mail our technical support group at [\*\*support@BathAuthority.com\*\*](mailto:support@BathAuthority.com)

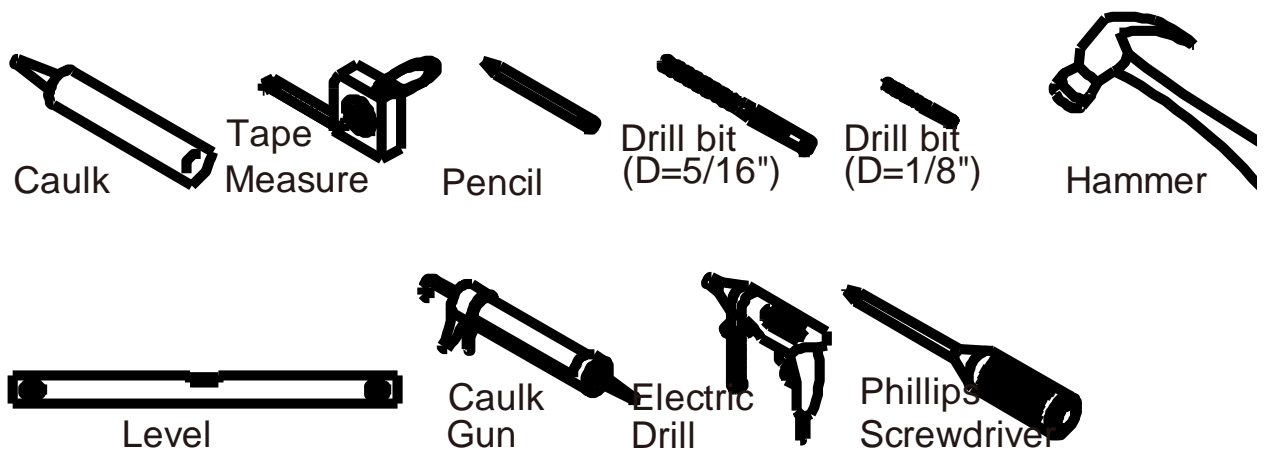


**Our product may have changes without prior notice**

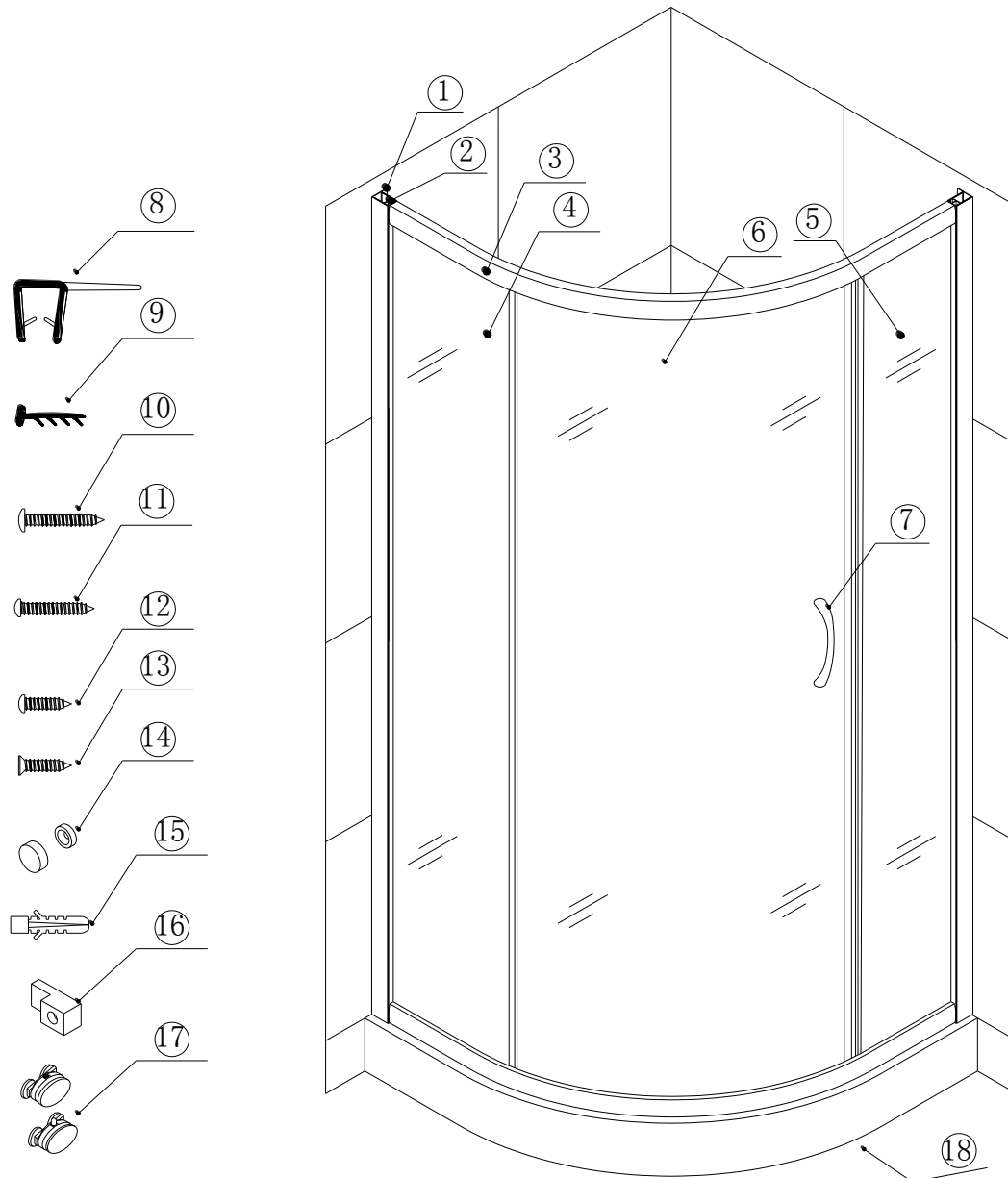
## Preparation

1. After opening all the boxes, read this introduction carefully, check all the packed parts are complete by cross checking all the components against the "Detailed Diagram of Shower Cabin Components". Examine for shipping damage. If the unit has been damaged or has a finishing defect, please contact your local distributor within 3 business days. Please note that **Bath Authority™ / DreamLine™ will not replace any damaged product or parts free of charge after 3 business days or if the product has been installed.** Contact your distributor if you have any questions.
2. **Please note that you should consult your local building codes on questions on installation compliance standards. Building and plumbing codes vary by location, and DreamLine is not responsible for code compliance standards for your project.**
3. Install all of the required plumbing and drainage before securing the shower. **Use a competent and licensed (if required by local code) plumber for all plumbing installation.**
4. Please insure that prior to the installation the floor is leveled and solid and will be able to support the total weight of the unit and its occupant. Also make sure the walls are at right angles. While some adjustment in leveling of the tray is possible, irregular floor level or improper angle of side walls will result in serious problems for your installation. Please, note that there are some adjustments and drilling might be necessary during the installation process.

## Tools Required



## Detailed Diagram of Enclosure Components



### Packing List

01	Wall profile	2pcs	10	Screw ST4.2x30	8pcs
02	Glass profile	2pcs	11	Screw ST4.2x25	8pcs
03	Guide rail with attached stopper	2pcs	12	Screw ST4.2x10	4pcs
04	Stationary glass 1	1pc	13	Screw ST4.2x15	4pcs
05	Stationary glass 2	1pc	14	Screw cover	4sets
06	Glass door	1pc	15	Wall anchors	8pcs
07	Handle	1pair	16	Glass holder	4pcs
08	Anti-water strip	3pcs	17	Wheel assembly	4pcs
09	Single side strip	2pcs	18	Bottom tray - optional	1pc

**After you have checked that all components are there, you will be ready to start the installation of your DreamLine shower enclosure.**

## Enclosure Installation

Install a shower tray according to the tray installation manual. You should do it before the wonder board and finish wall installation.

The shower enclosure has to be installed after you finish the wall.

1. Assemble **Glass profile (02)** with **Guide rail (03)** using **Screws ST4.2x25 (11)**. Note that the top guide rail is different from the bottom guide rail—plastic stopper is in a different location. See fig. 1 for details.
2. Push the **Stationary glass 1 (04)** into the Glass profile groove, and then fasten it by the **Glass holder (16)** to the Guide rail with **Screw ST4.2x15 (13)**. See fig. 2 for details.
3. Push the **Single side strip (09)** between glass and the side of the groove to seal the gap and prevent from water leaks. See fig. 3 for details.
4. Repeat the Steps 2-3 for the **Stationary glass 2 (05)**.
5. Push the **Wall profile (01)** all the way over the **Glass profile (02)**. Be sure to keep the lip with the predrilled holes inside the shower enclosure. See fig. 4 for details.
6. Carry the assembled unit on the top of the tray; place it against wall. If your walls are out of plumb you can adjust the position of the shower by pulling the glass profile slightly out of the wall profile. See fig. 5 for details.
7. Now adjust one of wall profiles vertically using level and mark the drill holes on the wall. Using help to hold this profile in the right position; level another profile and mark the drill holes. Gently move the assembled unit on a side, drill the holes, insert the **Wall Anchors (15)**. Place the whole shower assembly on the tray and attach it to the wall using **ST4.2x30 screws (10)**. See fig. 5&6 for details.
8. Perform the final check and adjustment of the shower assembled position on the tray. Now drill small holes in the Wall and Glass profiles and connect them together using **ST4.2x10 round head screws (12)**. ( Do not use a power screwdriver) See fig. 7 for details.
9. Your unit can be shipped to you with the **Wheel assemblies (17)** installed on the doors. If not, please refer to fig. 8 on how to install it. Attach the top and bottom wheels to the glass doors. The wheel that goes on the top has an adjustable screw and nut to adjust the door level. Note that the lock nut of upper wheel should face up. The bottom wheel has a press button to hook the wheel on the bottom guide rail; that button should face up. See fig. 8 for details.
10. Mount the **Handle (07)** to the **Glass door (06)**. Slide the top door wheels into the top guide rail and push the bottom wheels in the bottom guide rail by pressing down the button. Use the Phillips screwdriver #2 (do not use power screwdriver) to adjust the upper wheels, make sure they move smoothly and the door is closing properly. Then attach the **Anti-water strips (08)**. See fig. 9 for details.
11. Seal with silicon between **Wall profile, Glass Profile, Bottom rail** and **Tray**. See fig. 10 for details.

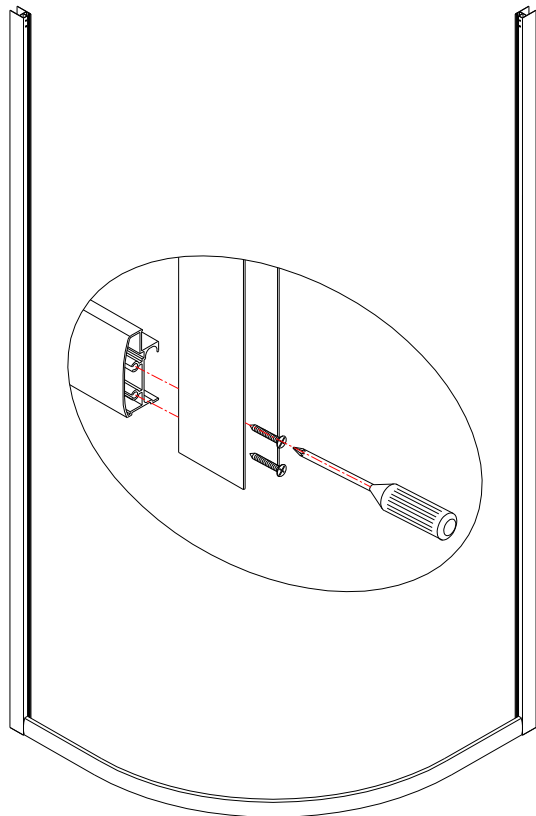


Fig 1

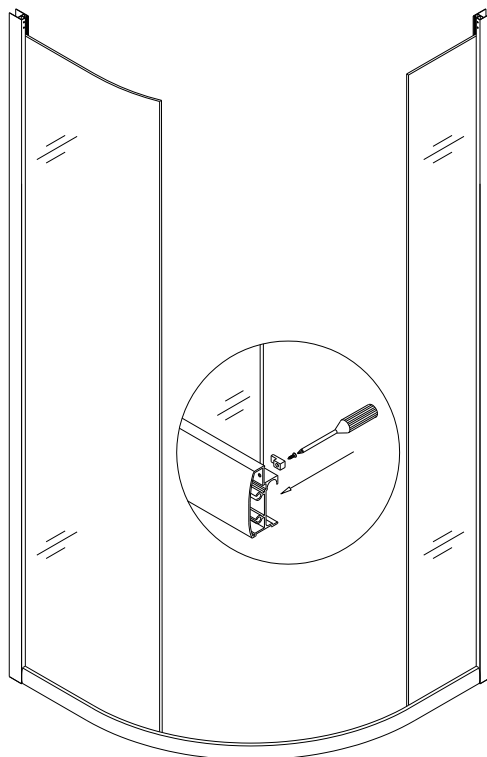


Fig 2

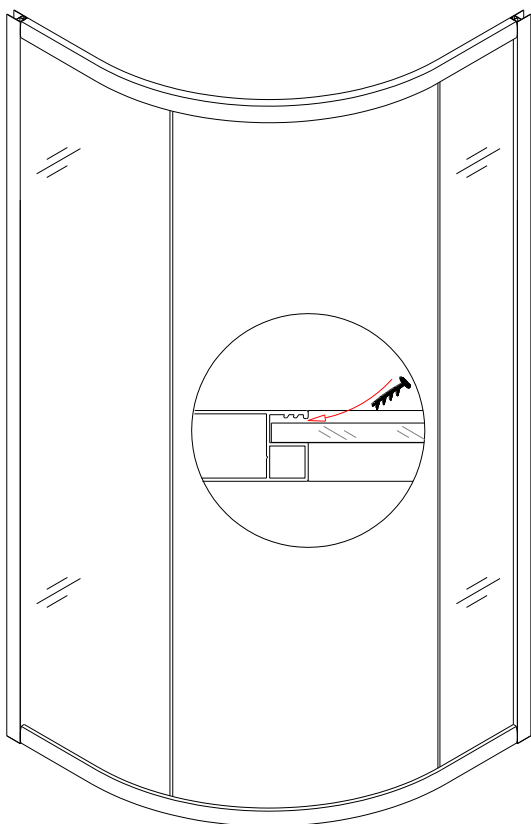


Fig 3

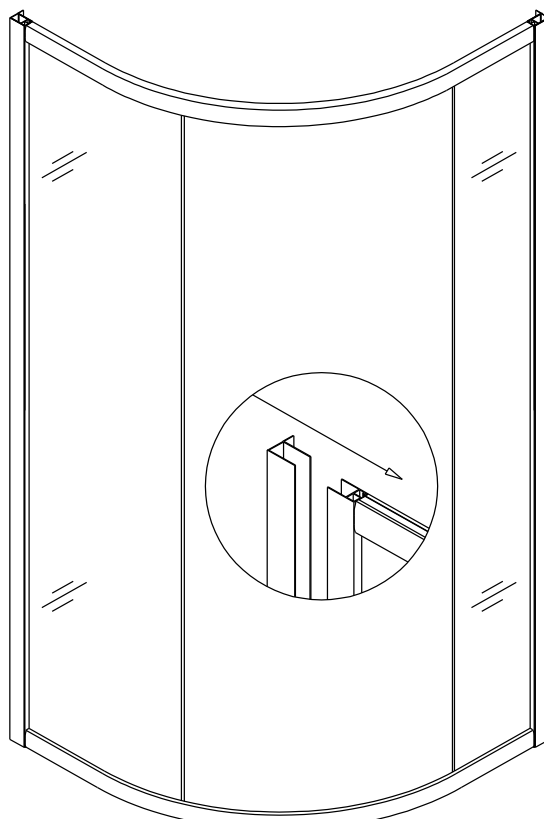


Fig 4

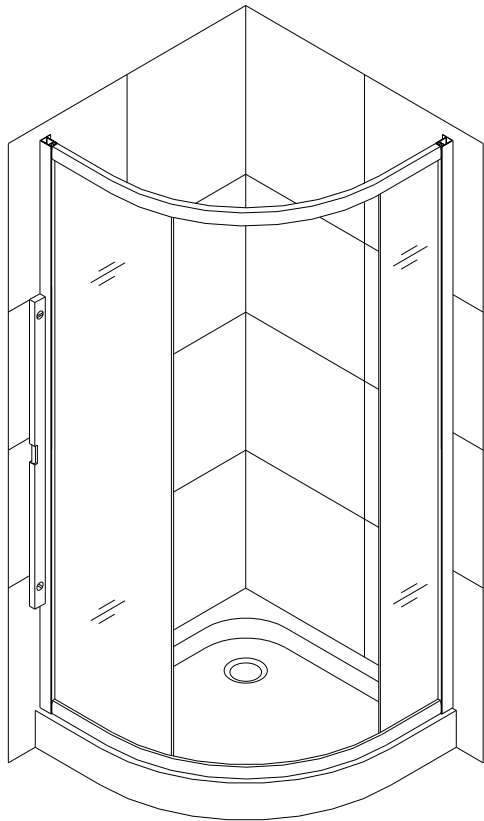


Fig 5

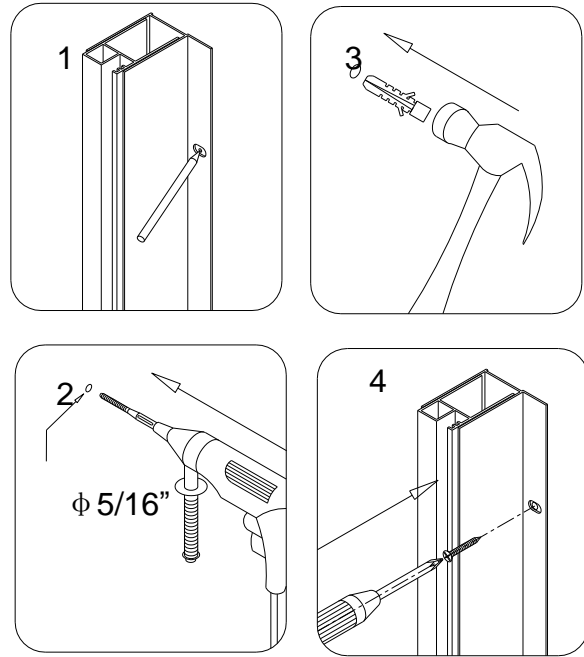


Fig 6

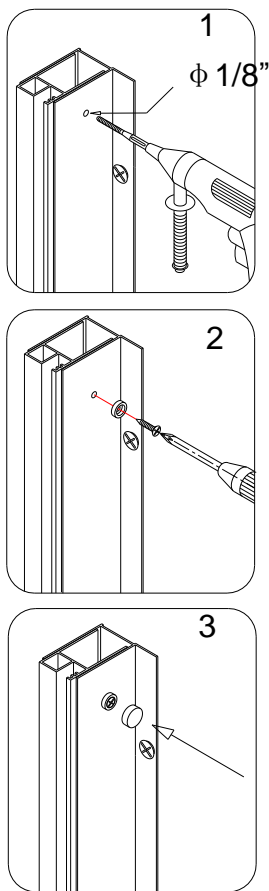


Fig 7

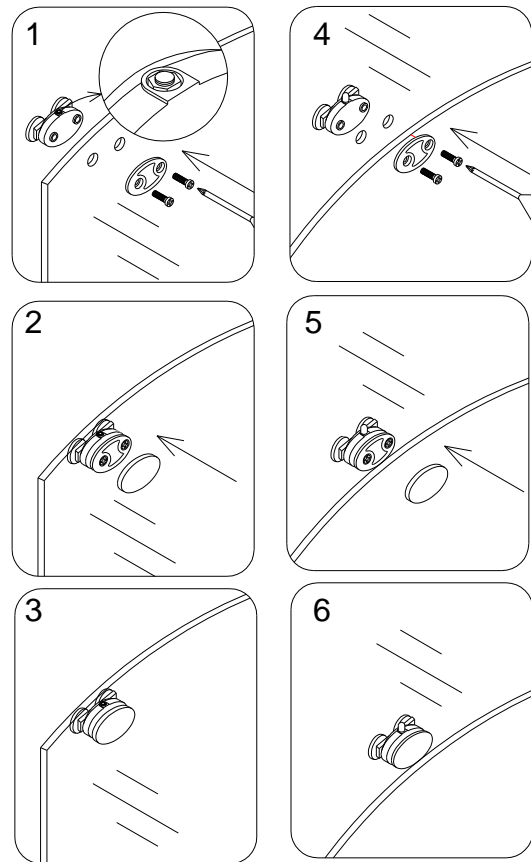


Fig 8

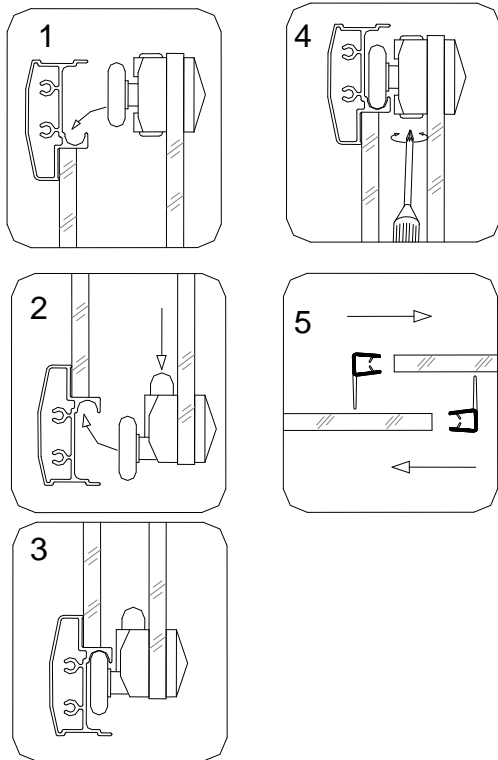


Fig 9

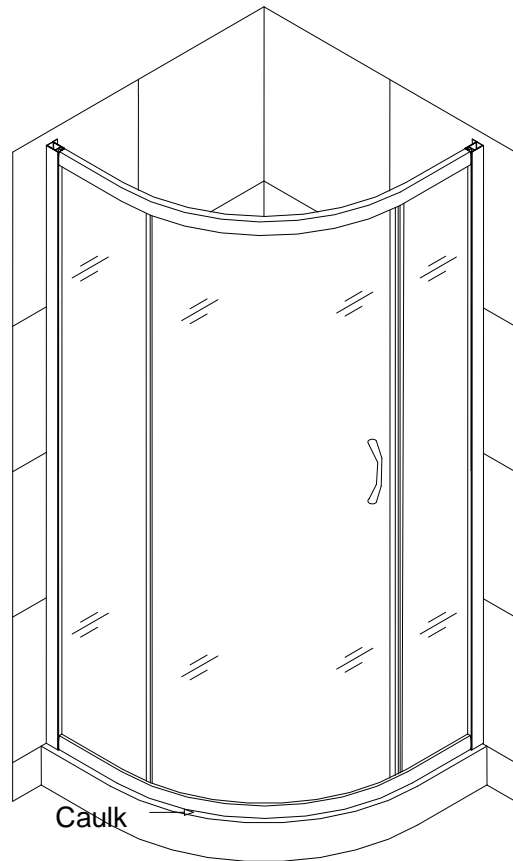


Fig 10

## **Product Maintenance**

1. Tempered glass can be cleaned with nonabrasive bathroom cleaner or any glass cleaner you use elsewhere in your home. Rinse off any glass cleaner that gets on the aluminum as soon as possible to avoid damage to the anodized surface. Avoid striking it with any sharp or hard objects. Such damage can cause either immediate or delayed breakage of tempered glass.
2. The aluminum in your shower door is durable and resistant to water damage. It is advisable, but not necessary to wipe it with your towel after you shower. Clean it as often as needed to keep the buildup off. Never use any type of abrasive cleaner. Use only a soft damp cloth and nonabrasive bathroom cleaners.
3. Maintenance of wheel:
  - A: Use a small amount of the lubricating oil to keep roller movement smooth.
  - B: Adjust wheel screw periodically to guarantee moving door effective bearing and sliding.