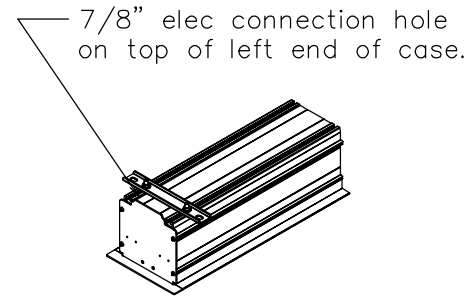
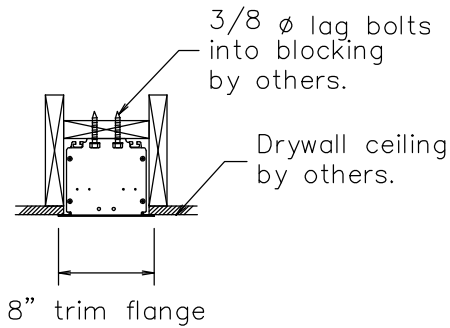
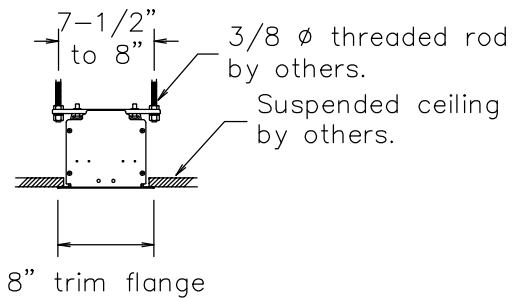


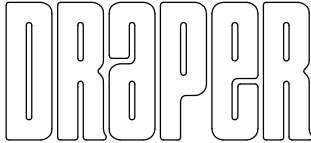
Mounting with
Drywall Ceiling



Mounting with
Suspended Ceiling



Mounting Details

		DRAPER Inc. 411 S. Pearl St. Spiceland, Indiana	
		Title Access Case	
		Sheet 1 of 1	
Scale 3/4" = 1'	Date 7/9/2012	Part NO.	